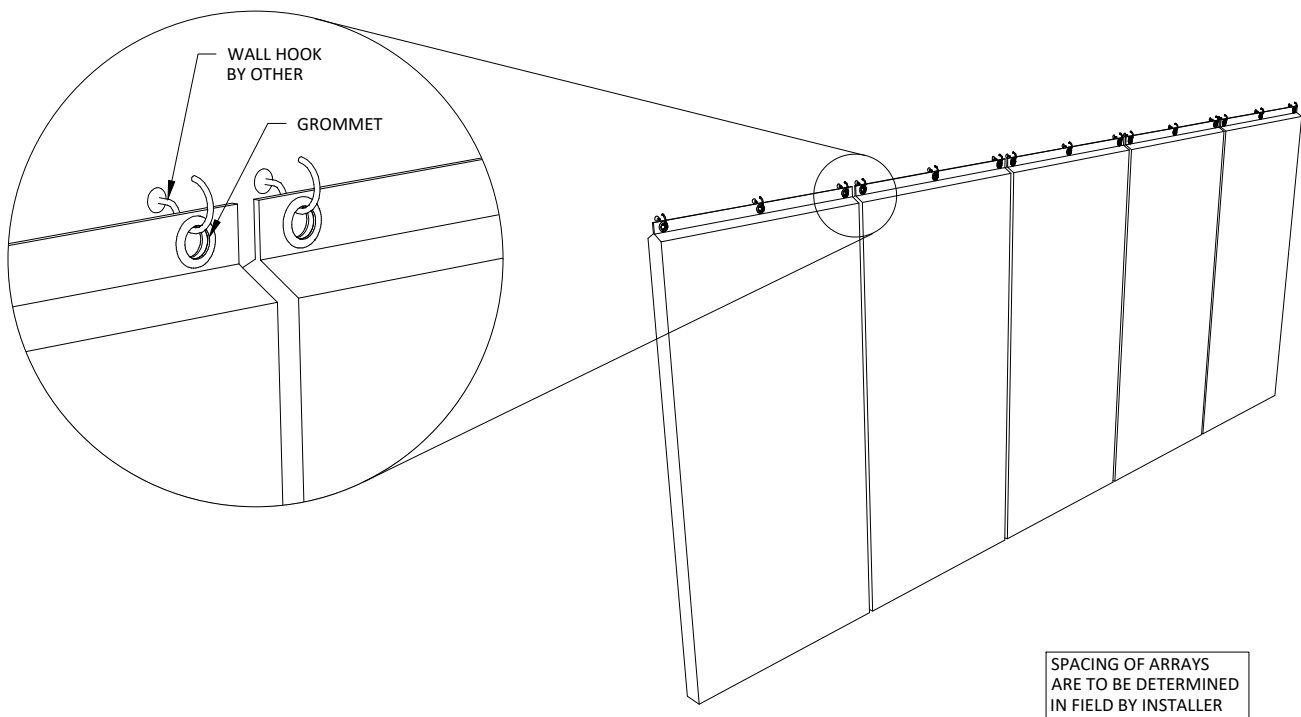


ATTENTION: If you have additional questions after reviewal of this manual please contact your local ASI representative or an ASI professional at our headquarters (952)448-5300

ASI MANUFACTURES DECORATIVE ACOUSTICAL PANELS AND PRODUCTS THAT MUST BE HANDLED WITH CARE. PRODUCTS SHOULD ONLY BE INSTALLED BY EXPERIENCED INSTALLERS.

RECEIVING

Prior to unpacking, check package for any obvious shipping damage. If no evidence of damage is present, move package to a dry/controlled area and inspect it for dents, breakage, or any lesser-noticeable damage that may affect enclosed panels. If damage has been identified, record it/photograph it, and open to inspect for concealed damage. If damage was transferred to the product, document/photograph the issues.



INSTALLATION

Install wall hooks (not provided) onto wall to match the spacing of the factory installed grommets (refer to wall hook manufacturer's instructions for installation and weight capacities). Once hooks are in place, simply hang the baffle by hooking the grommets through the wall hooks. To install a series or array of baffles, repeat steps for individual panel hanging.