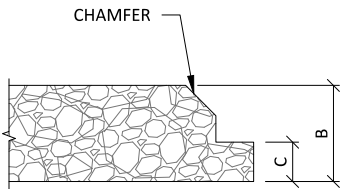


1 TYPICAL PANEL OPTIONS
1 SCALE: 3/4" = 1'-0"

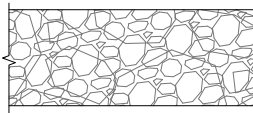


TEGULAR

| PANEL OPTIONS | |
|---------------|---------|
| B | C |
| 1" | 7/16" |
| 1-3/8" | 13/16" |
| 2" | 1-7/16" |

| FINISH OPTIONS |
|----------------|
| PRIMED CLEAR |
| PRIMED WHITE |
| CUSTOM PAINTED |

2 PANEL PROFILE OPTION - TEGULAR
1 SCALE: 6" = 1'-0"



SQUARE

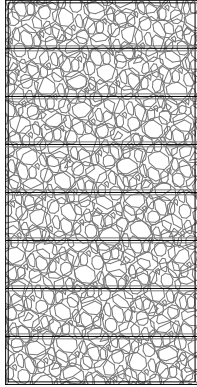
| PANEL OPTIONS |
|---------------|
| 5/8" |
| 1" |
| 1-3/8" |
| 2" |

| FINISH OPTIONS |
|----------------|
| PRIMED CLEAR |
| PRIMED WHITE |
| CUSTOM PAINTED |

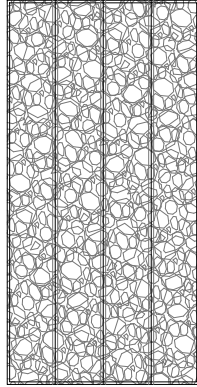
NOTE: 5/8" PANEL OPTION NOT AVAILABLE FOR ENGRAVED PANELS

3 PANEL PROFILE OPTION - SQUARE
1 SCALE: 6" = 1'-0"

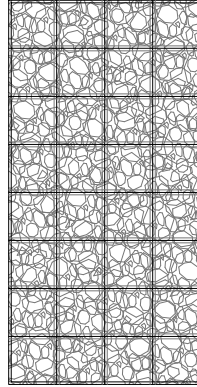
NOTE: $\frac{3}{8}$ " PANEL OPTION NOT AVAILABLE FOR ENGRAVED PANELS



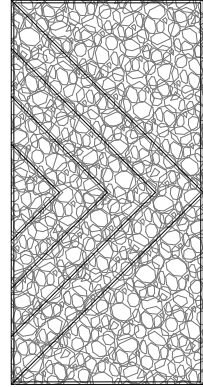
HORIZON



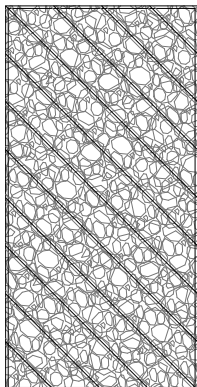
PINSTRIPES



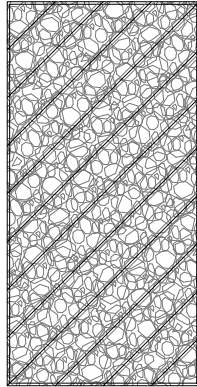
CHECKERBOARD



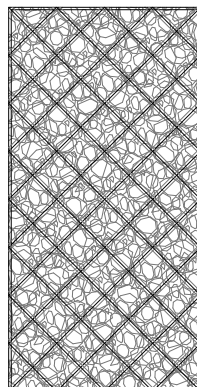
HALF DIAMOND



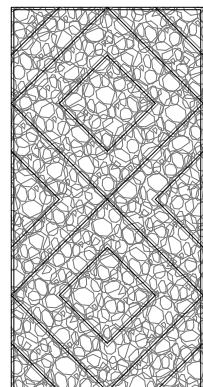
DIAGONAL LEFT



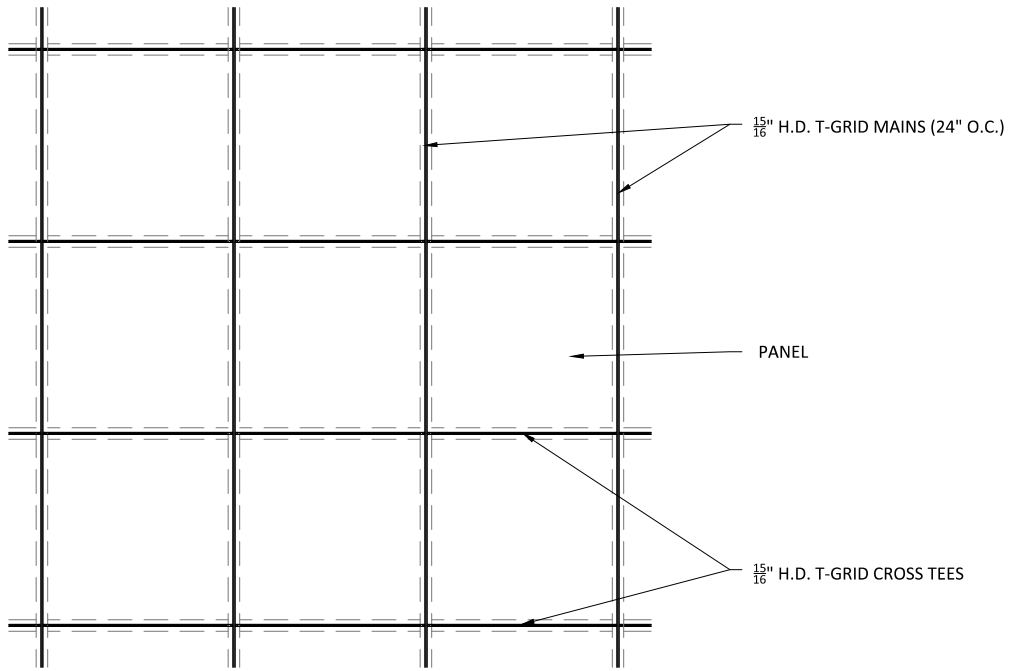
DIAGONAL RIGHT



CRISSCROSS

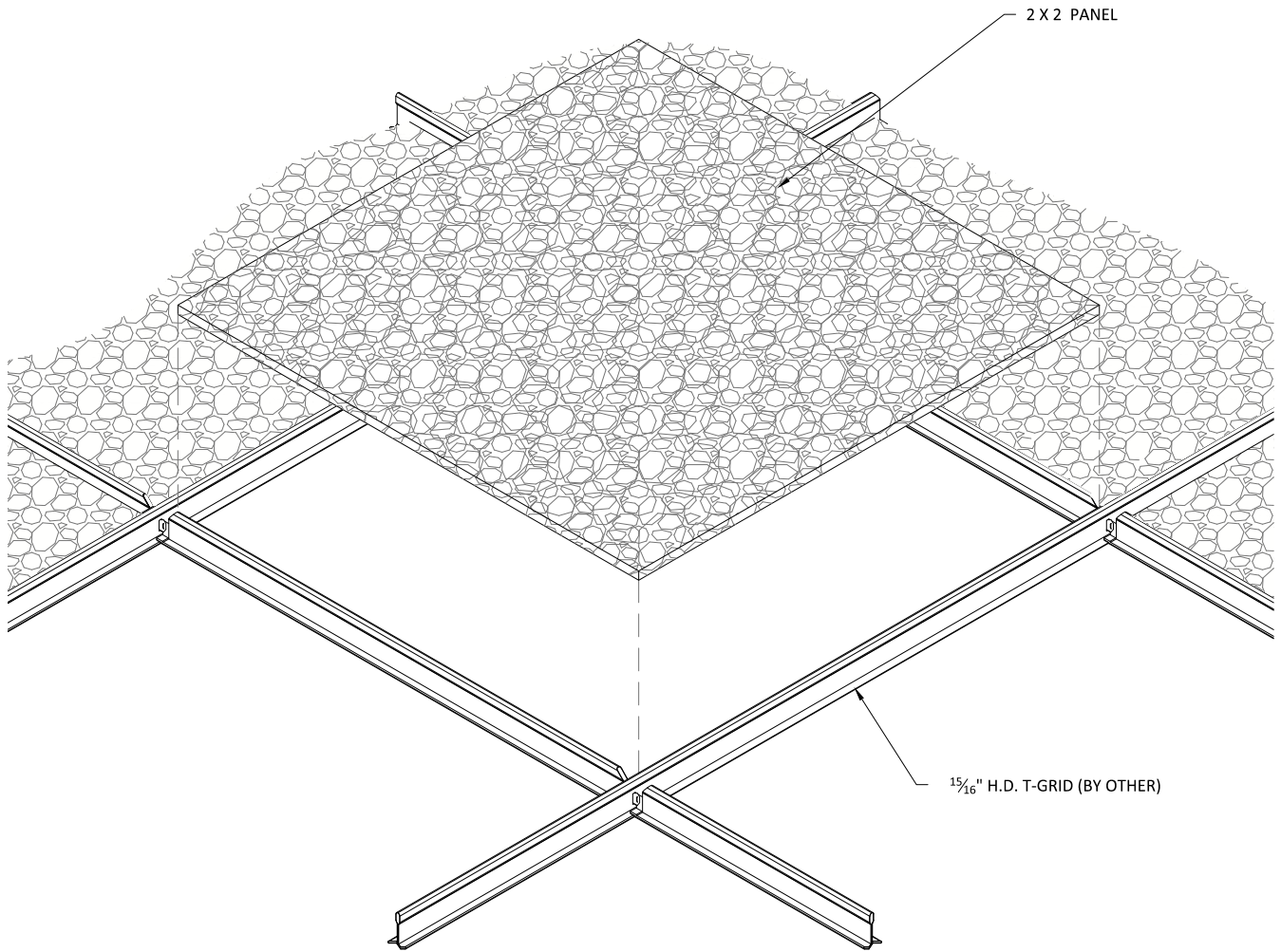


DOUBLE DIAMOND

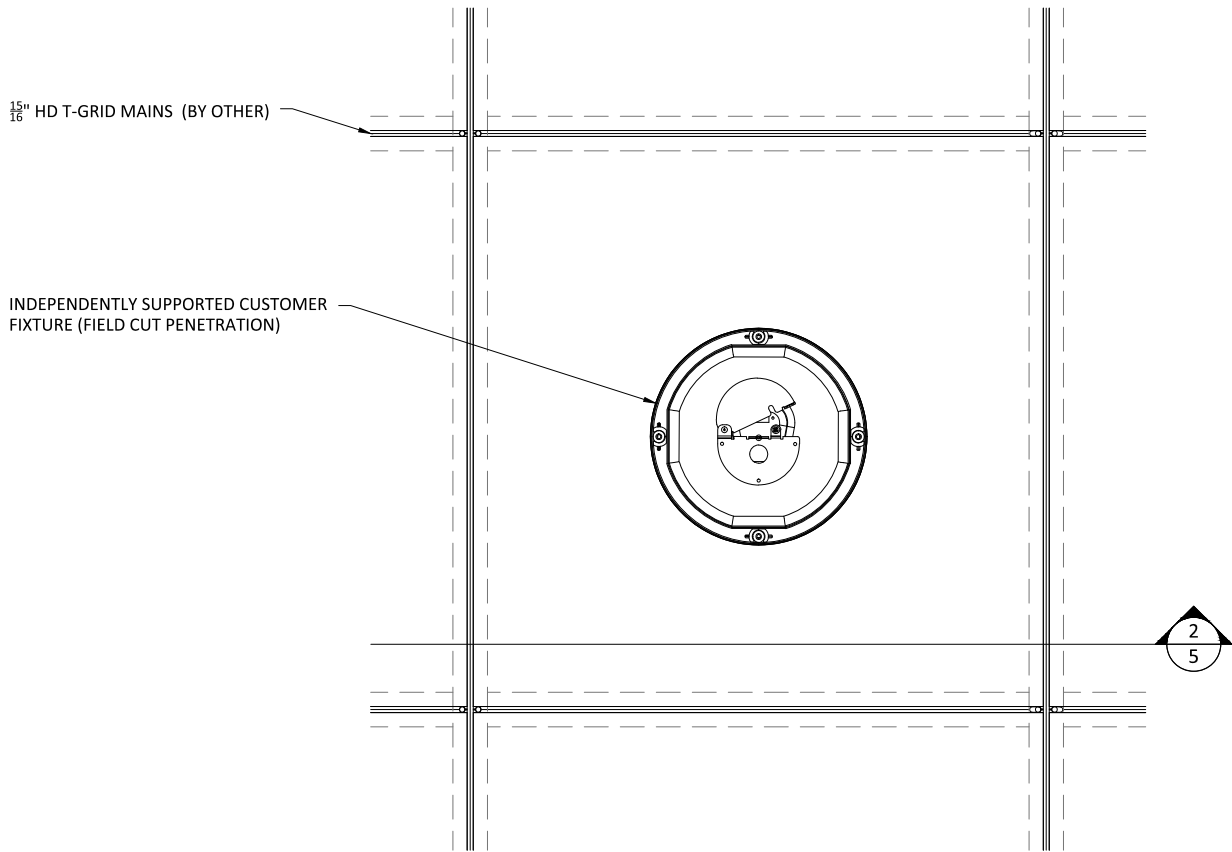


1 TYPICAL LAY-IN CEILING PANEL T-GRID LAYOUT
 3 SCALE: 1/2" = 1'-0"

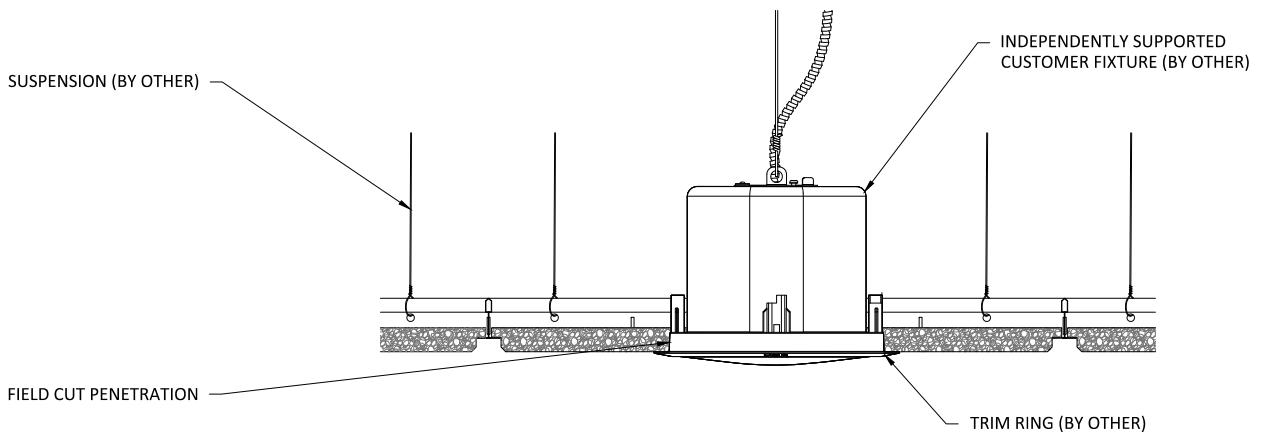
| | PANEL SIZE | |
|---------------------------------------|-----------------|-----------------|
| NOMINAL | 2X2 | 2X4 |
| ACTUAL SIZE | 23.75" X 23.75" | 23.75" X 47.75" |
| RECOMMENDED CROSS TEE/FURRING SPACING | 24" O.C. | 48" O.C. |



1
4
LAY-IN CEILING ISOMETRIC
 SCALE: 1 1/2" = 1'-0"



1 LAY-IN CEILING CAN LIGHT PLAN
5 SCALE: 1 1/2" = 1'-0"



2 LAY-IN CEILING CAN LIGHT SECTION
5 SCALE: 1 1/2" = 1'-0"



123 Columbia Court North, Chaska,
Minnesota 55318 P. 800.527.6253

ENVIROACOUSTIC WOOD WOOL - CEILING TILE
CAN LIGHT DETAILS

SCALE: AS NOTED

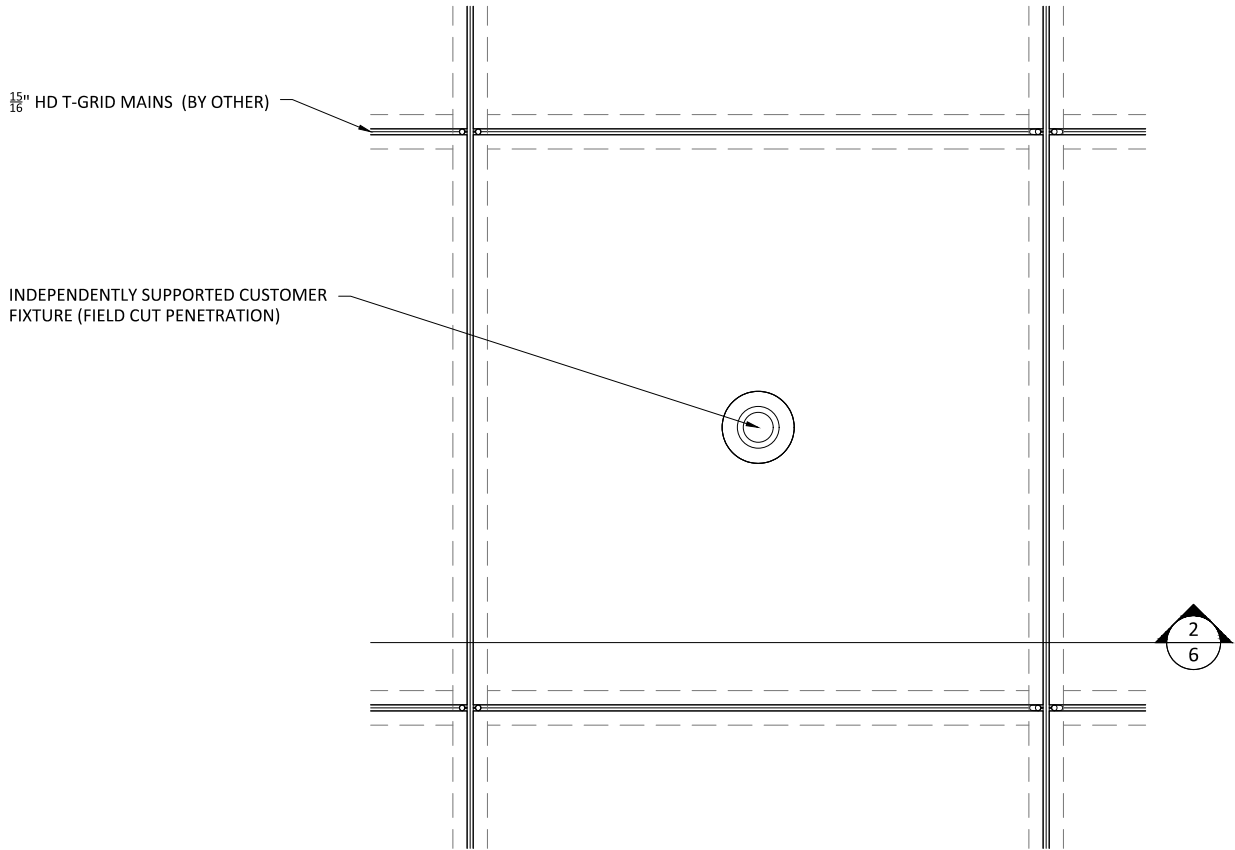
LAST REVISED: 1/30/2020

DRAWN BY: BH

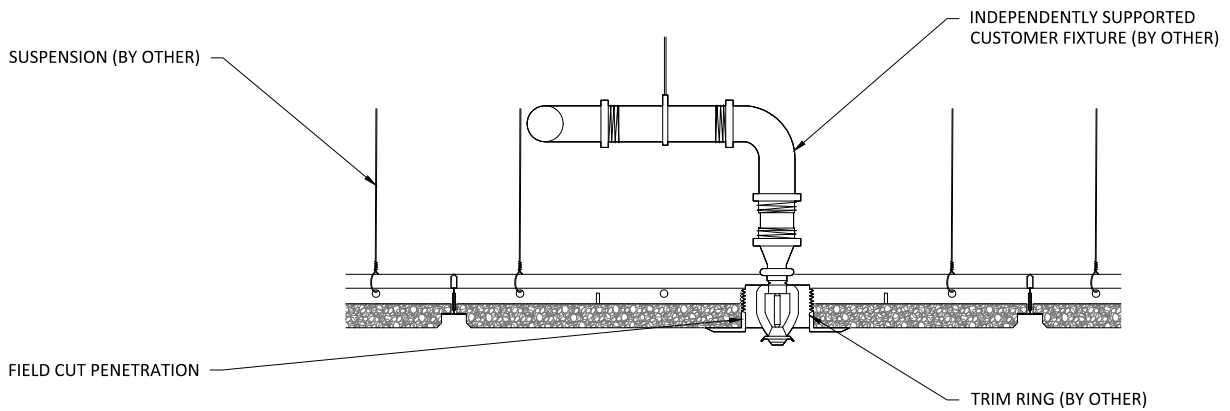
SHEET NUMBER

5

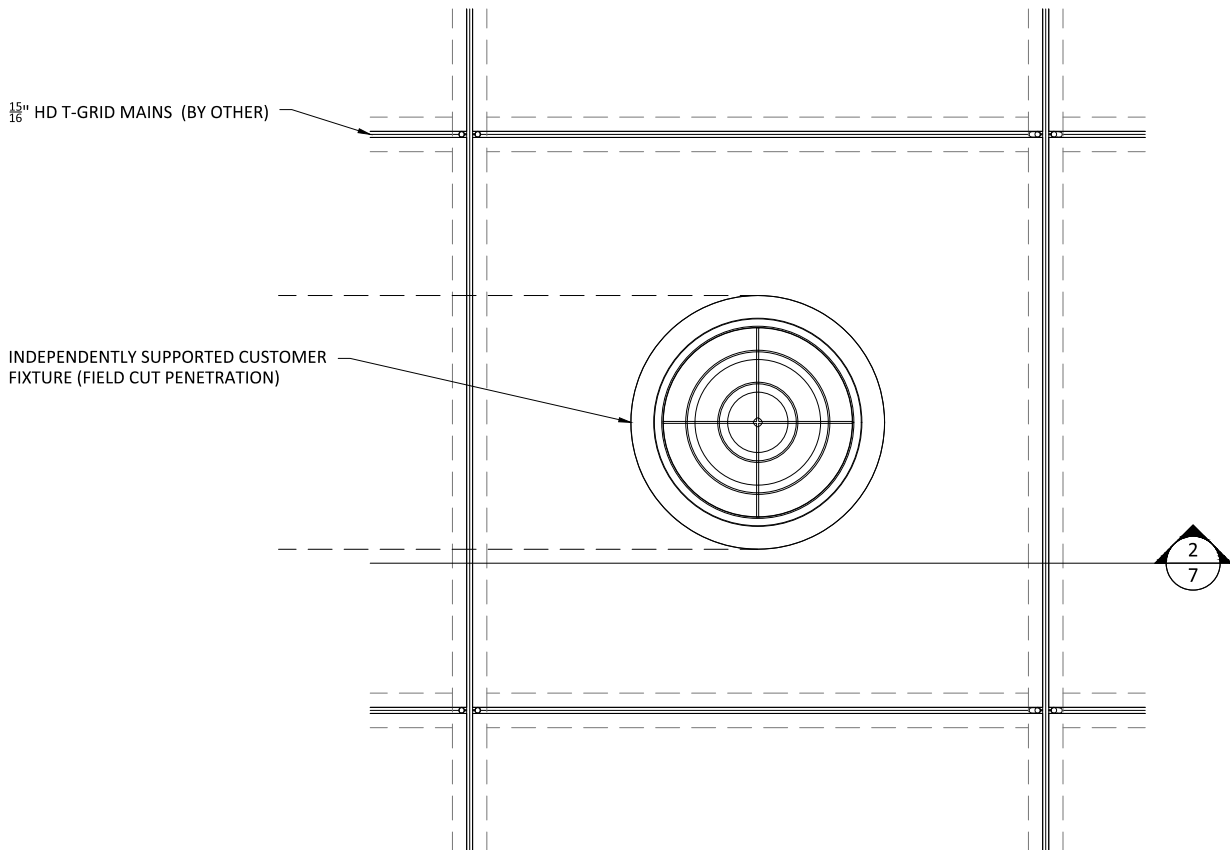
DO NOT SCALE DRAWING. FIGURED DIMENSIONS ARE TO BE FOLLOWED. READ THIS DRAWING IN CONNECTION WITH GENERAL ARCHITECTURAL PLANS, STRUCTURAL PLANS, AND OTHER RELATED DRAWINGS. THESE DRAWINGS REPRESENT ASI'S UNDERSTANDING AND INTERPRETATION OF THE ARCHITECTURAL DRAWINGS AND HOW ASI PRODUCTS RELATE TO THE PROJECT. COPYRIGHT ASI © 2020



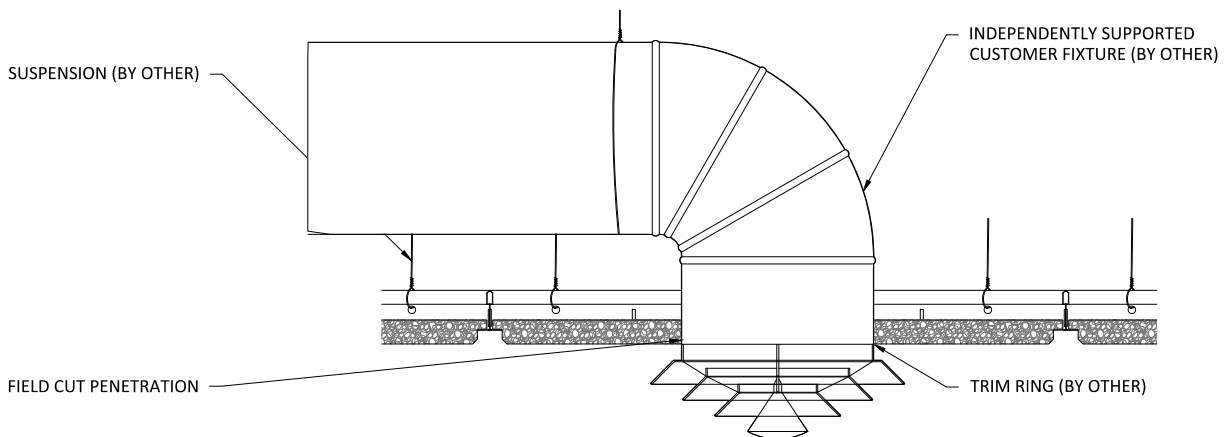
1 LAY-IN CEILING SPRINKLER PLAN
6 SCALE: 1 1/2" = 1'-0"



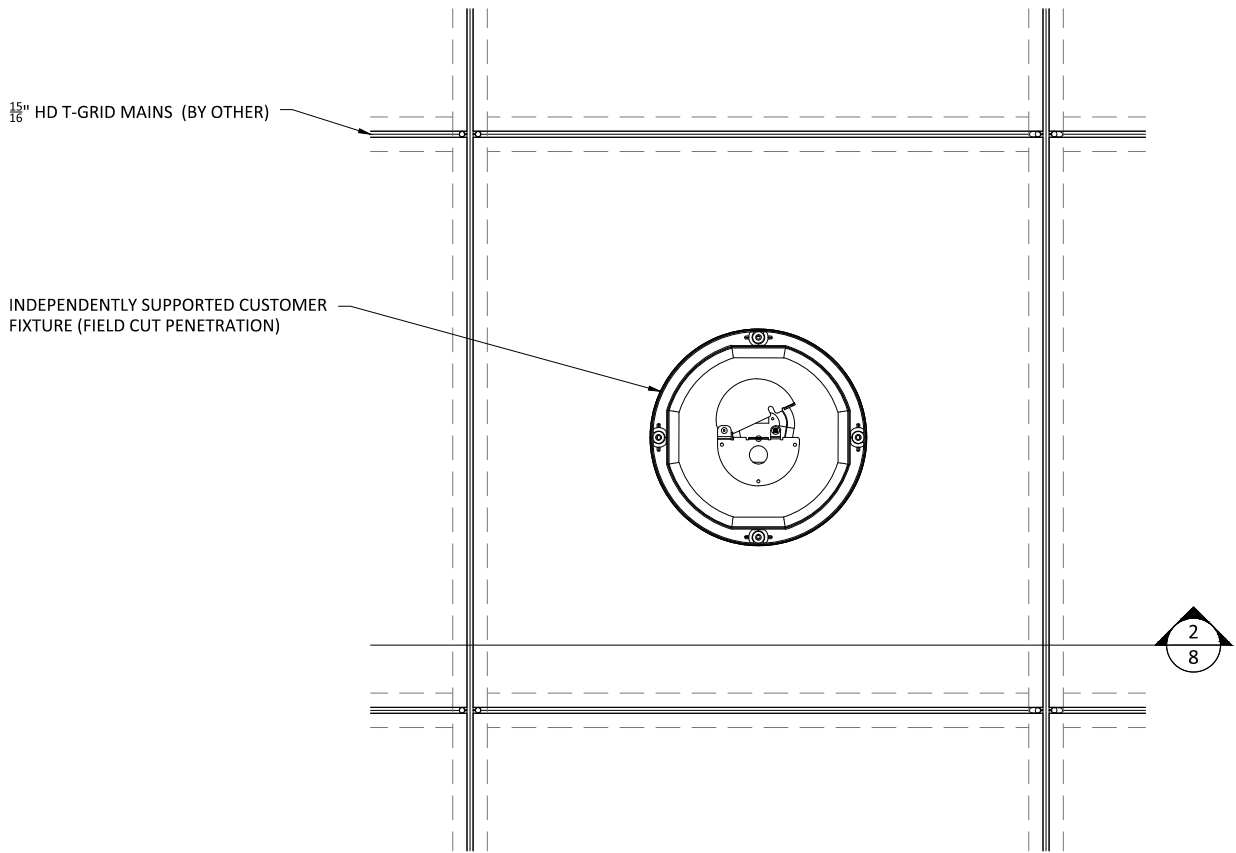
2 LAY-IN CEILING SPRINKLER SECTION
6 SCALE: 1 1/2" = 1'-0"



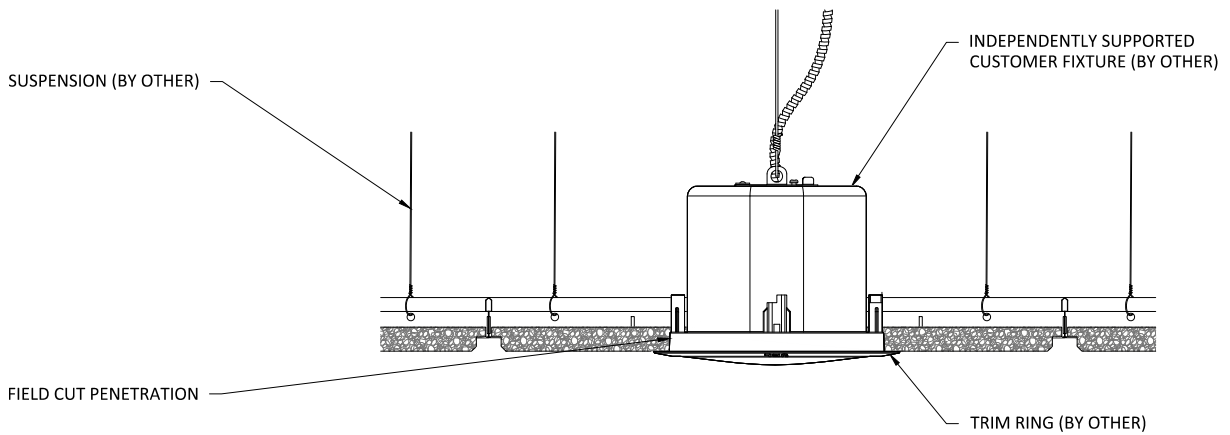
1/7 LAY-IN CEILING DIFFUSER PLAN
SCALE: 1 1/2" = 1'-0"



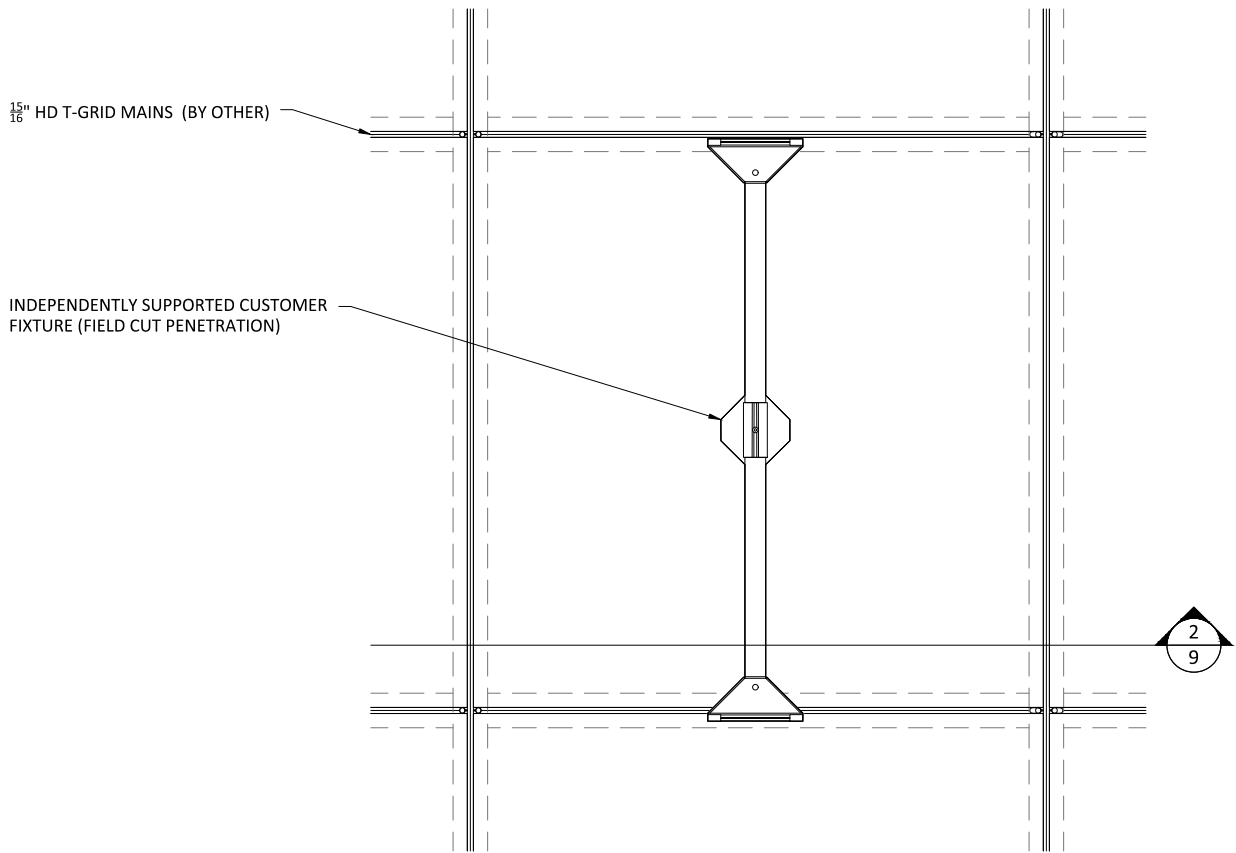
2/7 LAY-IN CEILING DIFFUSER SECTION
SCALE: 1 1/2" = 1'-0"



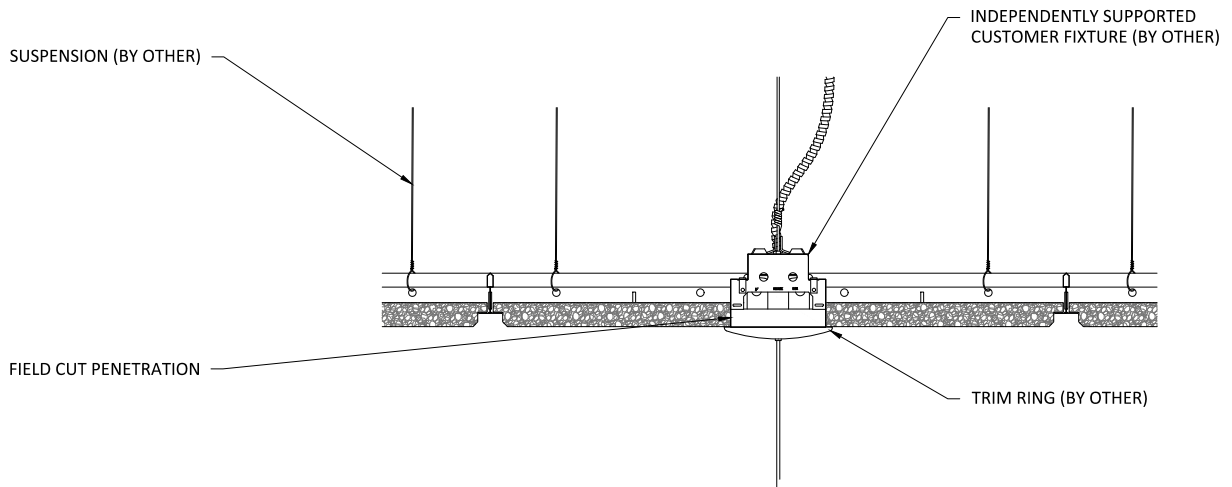
1 LAY-IN CEILING SPEAKER PLAN
SCALE: 1 1/2" = 1'-0"



2 LAY-IN CEILING SPEAKER SECTION
SCALE: 1 1/2" = 1'-0"



1 LAY-IN CEILING PENDANT LIGHT PLAN
 9 SCALE: 1 1/2" = 1'-0"



2 LAY-IN CEILING PENDANT LIGHT SECTION
 9 SCALE: 1 1/2" = 1'-0"