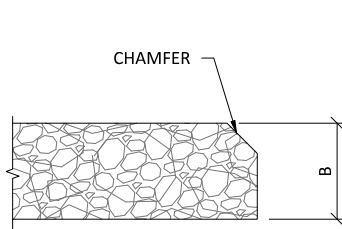
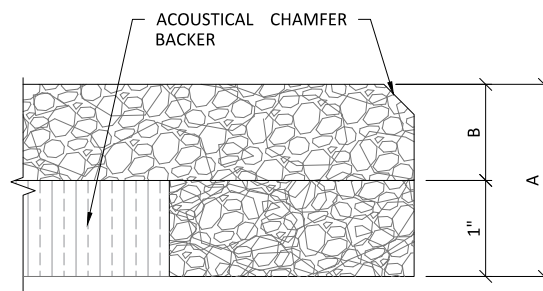


1 TYPICAL PANEL OPTIONS
1 SCALE: 3/4" = 1'-0"



STANDARD

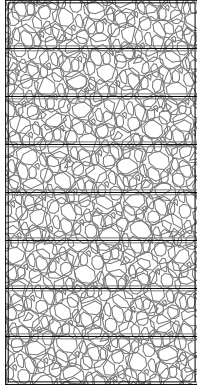


COMPOSITE

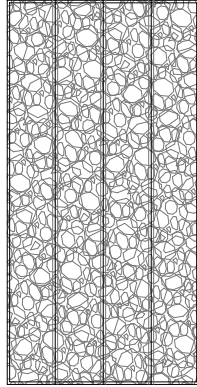
FINISH OPTIONS
PRIMED CLEAR
PRIMED WHITE
CUSTOM PAINTED

PANEL OPTIONS	
A	B
2"	1"
2-3/8"	1-3/8"
3"	2"

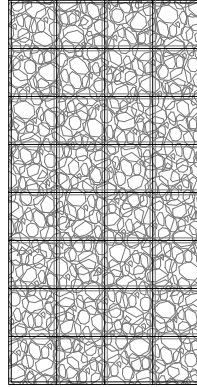
2 PANEL PROFILE OPTIONS
1 SCALE: 6" = 1'-0"



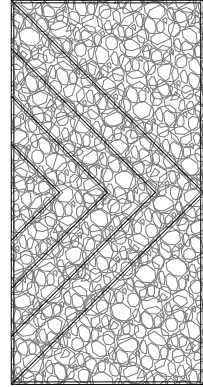
HORIZON



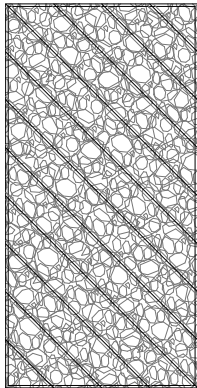
PINSTRIPES



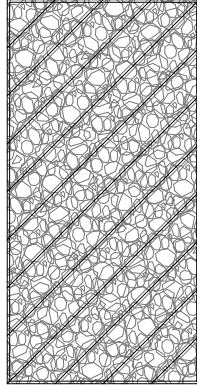
CHECKERBOARD



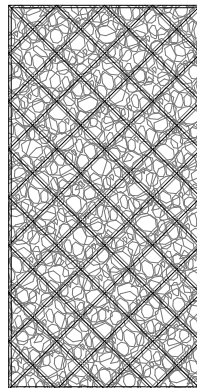
HALF DIAMOND



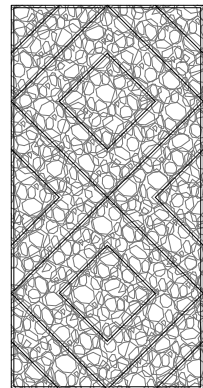
DIAGONAL LEFT



DIAGONAL RIGHT



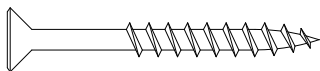
CRISSCROSS



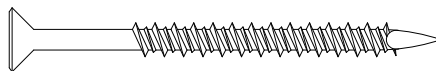
DOUBLE DIAMOND

SCREW TYPE CHART			
PANEL THICKNESS	SUBSTRATE	RECOMMENDED SCREW TYPE	RECOMMENDED SCREW LENGTH
1"	HAT CHANNEL OR THIN METAL	SELF-TAPPING	2"
1-3/8"	HAT CHANNEL OR THIN METAL	SELF-TAPPING	2-1/4"
2"	HAT CHANNEL OR THIN METAL	SELF-TAPPING	3"
1"	WALL BOARD OR WOOD FURRING	DRYWALL SCREW	1-5/8"
1-3/8"	WALL BOARD OR WOOD FURRING	DRYWALL SCREW	2-1/4"
2"	WALL BOARD OR WOOD FURRING	DRYWALL SCREW	3"
1"	CONCRETE	TAPCON	2-1/4"
1-3/8"	CONCRETE	TAPCON	2-3/4"
2"	CONCRETE	TAPCON	3-1/4"

SCREW SPACING CHART		
APPLICATION	MINIMUM O.C. SPACING	MINIMUM SCREW DISTANCE FROM EDGE OF PANEL
CEILING	12"	3/4"
WALL	24"	3/4"
WALL: HIGH TRAFFIC	12"	3/4"



#6 SHARP POINT DRYWALL SCREW
RECOMMENDED FOR WOOD APPLICATION



#6 CMU SCREW RECOMMENDED FOR
MASONRY APPLICATION



#6 SELF TAPPING SCREW
RECOMMENDED FOR METAL
APPLICATIONS)



123 Columbia Court North, Chaska,
Minnesota 55318 P. 800.527.6253

ENVIROACOUSTIC WOOD WOOL - DIRECT ATTACH CEILING
RECOMMENDED FASTENER OPTIONS

SCALE: AS NOTED

LAST REVISED: 1/30/2020

DRAWN BY: BH

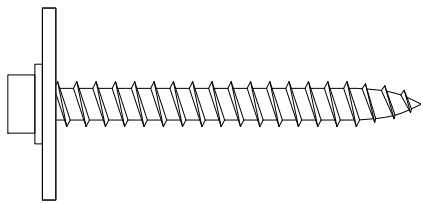
SHEET NUMBER

3

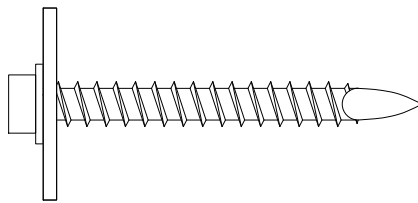
DO NOT SCALE DRAWING. FIGURED DIMENSIONS ARE TO BE FOLLOWED. READ THIS DRAWING IN CONNECTION WITH GENERAL ARCHITECTURAL PLANS, STRUCTURAL PLANS, AND OTHER RELATED DRAWINGS. THESE DRAWINGS REPRESENT ASI'S UNDERSTANDING AND INTERPRETATION OF THE ARCHITECTURAL DRAWINGS AND HOW ASI PRODUCTS RELATE TO THE PROJECT. COPYRIGHT ASI © 2020

SCREW TYPE CHART			
PANEL THICKNESS	SUBSTRATE	RECOMMENDED SCREW TYPE	RECOMMENDED SCREW LENGTH
1"	HAT CHANNEL OR THIN METAL	SELF-TAPPING	2"
1-3/8"	HAT CHANNEL OR THIN METAL	SELF-TAPPING	2-1/4"
2"	HAT CHANNEL OR THIN METAL	SELF-TAPPING	3"
1"	WALL BOARD OR WOOD FURRING	WOOD SCREW	1-5/8"
1-3/8"	WALL BOARD OR WOOD FURRING	WOOD SCREW	2-1/4"
2"	WALL BOARD OR WOOD FURRING	WOOD SCREW	3"
1"	CONCRETE	CMU	2-1/4"
1-3/8"	CONCRETE	CMU	2-3/4"
2"	CONCRETE	CMU	3-1/4"

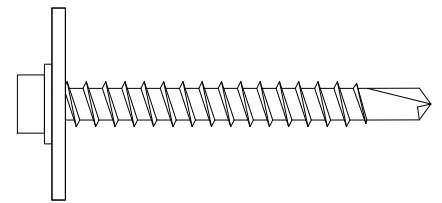
SCREW SPACING CHART		
APPLICATION	MINIMUM O.C. SPACING	MINIMUM SCREW DISTANCE FROM EDGE OF PANEL
CEILING	12"	3/4"
WALL	24"	3/4"
WALL: HIGH TRAFFIC	12"	3/4"



1/4"-14 HEX WOOD SCREW W/ 1" WASHER



1/4"-14 HEX CMU SCREW W/ 1" WASHER



1/4"-14 HEX METAL SCREW W/ 1" WASHER



123 Columbia Court North, Chaska, Minnesota 55318 P. 800.527.6253

ENVIROACOUSTIC WOOD WOOL - DIRECT ATTACH CEILING
ALTERNATE RECOMMENDED FASTENER OPTIONS

SCALE: AS NOTED

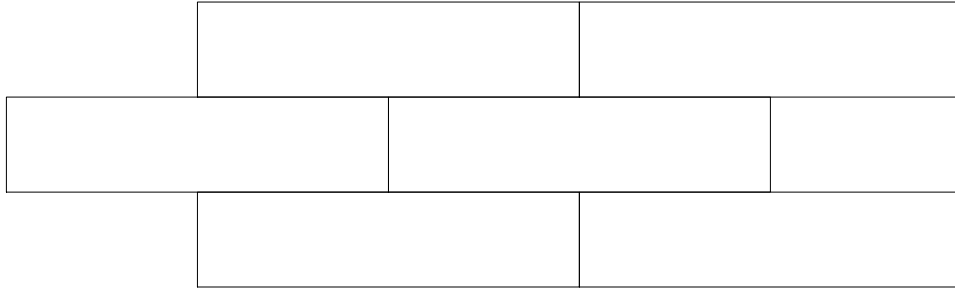
LAST REVISED: 1/30/2020

DRAWN BY: BH

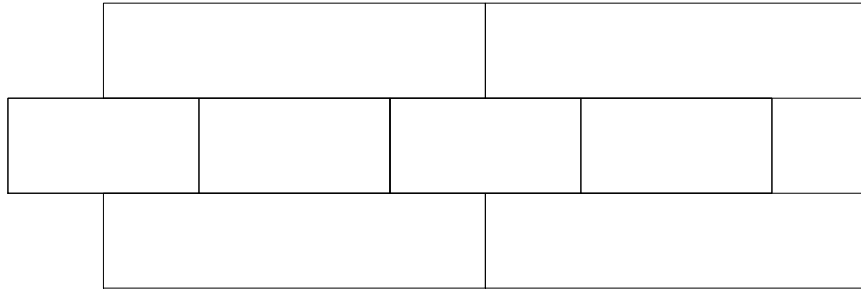
SHEET NUMBER

4

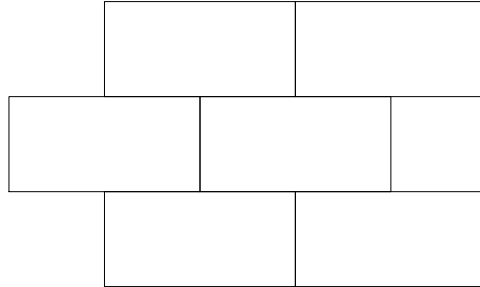
DO NOT SCALE DRAWING. FIGURED DIMENSIONS ARE TO BE FOLLOWED. READ THIS DRAWING IN CONNECTION WITH GENERAL ARCHITECTURAL PLANS, STRUCTURAL PLANS, AND OTHER RELATED DRAWINGS. THESE DRAWINGS REPRESENT ASI'S UNDERSTANDING AND INTERPRETATION OF THE ARCHITECTURAL DRAWINGS AND HOW ASI PRODUCTS RELATE TO THE PROJECT. COPYRIGHT ASI © 2020



TYPICAL 2X8 PANEL LAYOUT

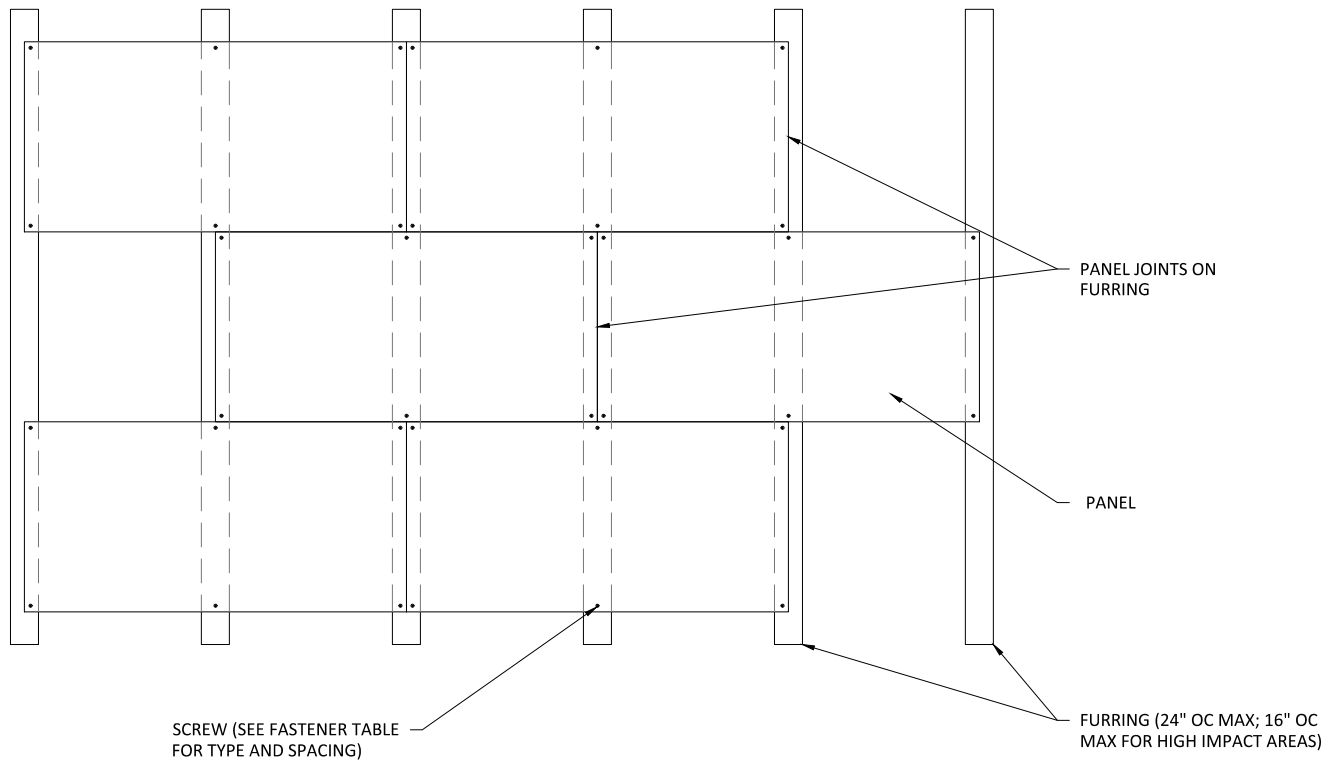


2X8 / 2X4 PANEL LAYOUT



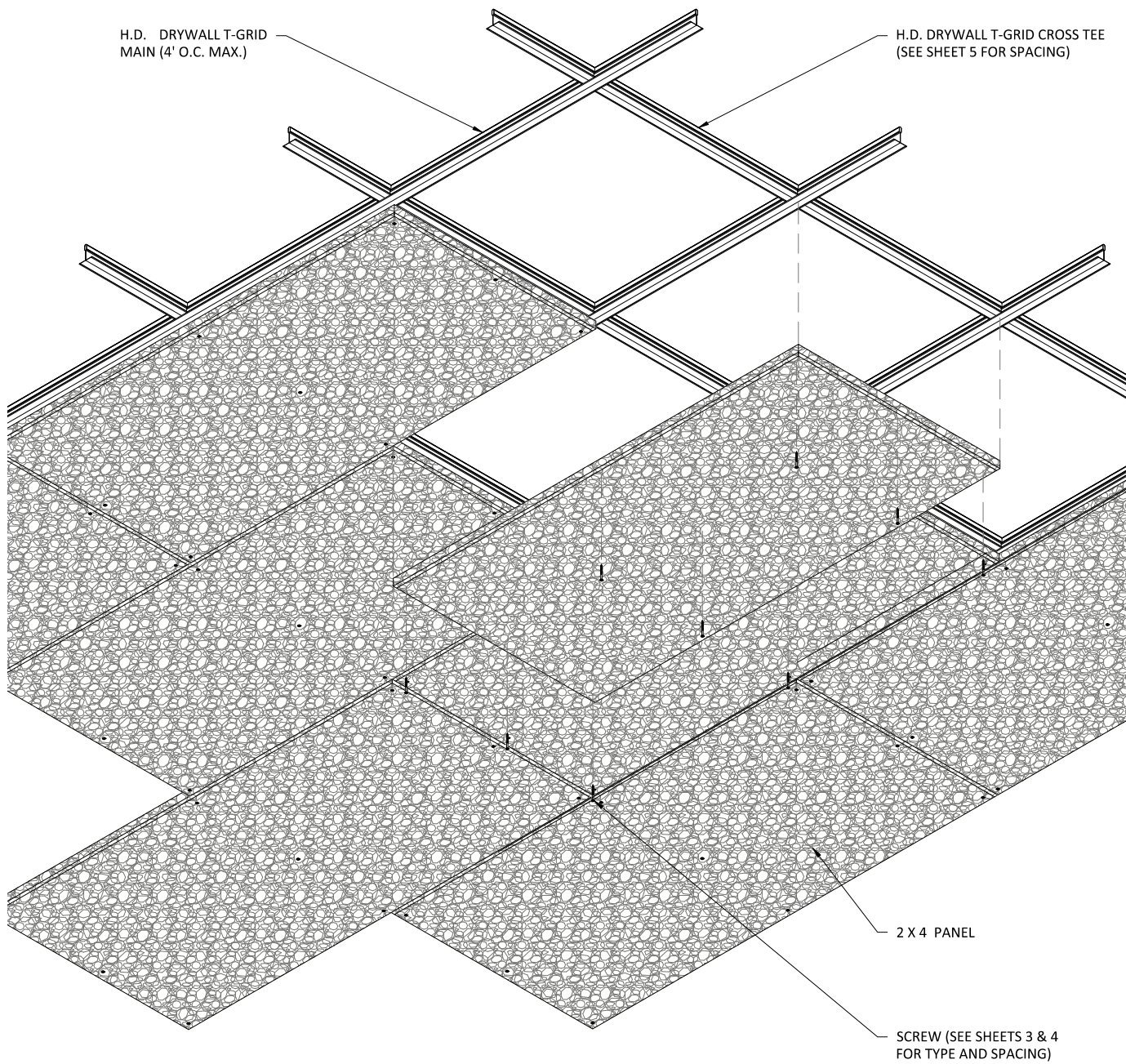
TYPICAL 2X4 PANEL LAYOUT

- ALL ENDS MUST BE STAGGERED (AS SHOWN)
- ALL ENDS MUST FALL ON FURRING OR DRYWALL T-GRID
- 2X8 PANELS AND 2X4 PANELS CAN BE USED INTERCHANGEABLY (ONE 2X4 PANEL IS EXACTLY HALF THE LENGTH OF ONE 2X8 PANEL)

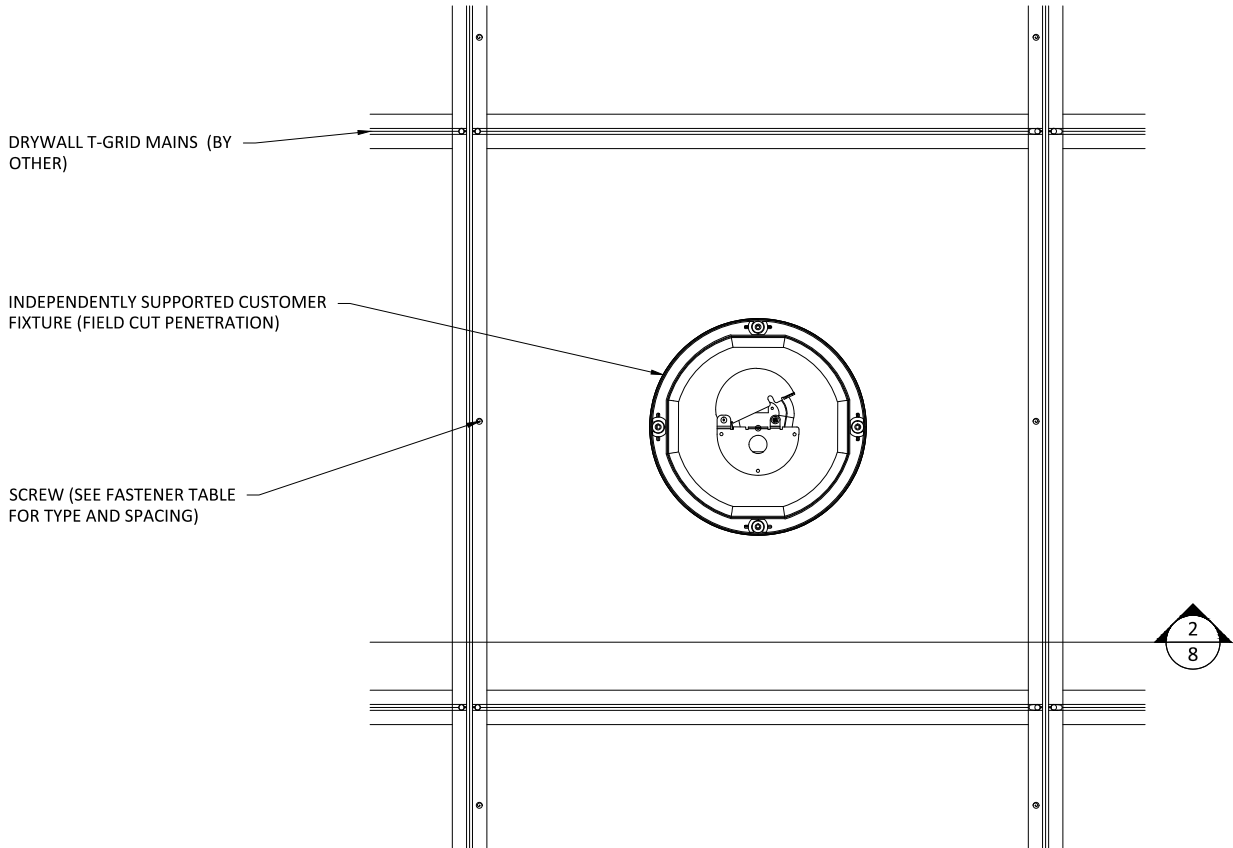


- FURRING TO BE PERPENDICULAR TO LENGTH OF PANEL
- ENDS TO BE STAGGERED AND FALL ON FURRING
- PANELS TO BE SCREWED TO FURRING (SEE FASTENER TABLE FOR TYPE AND SPACING)
- CONFIGURATION APPLIES TO ALL SIZES (2X4 PANEL SHOWN)

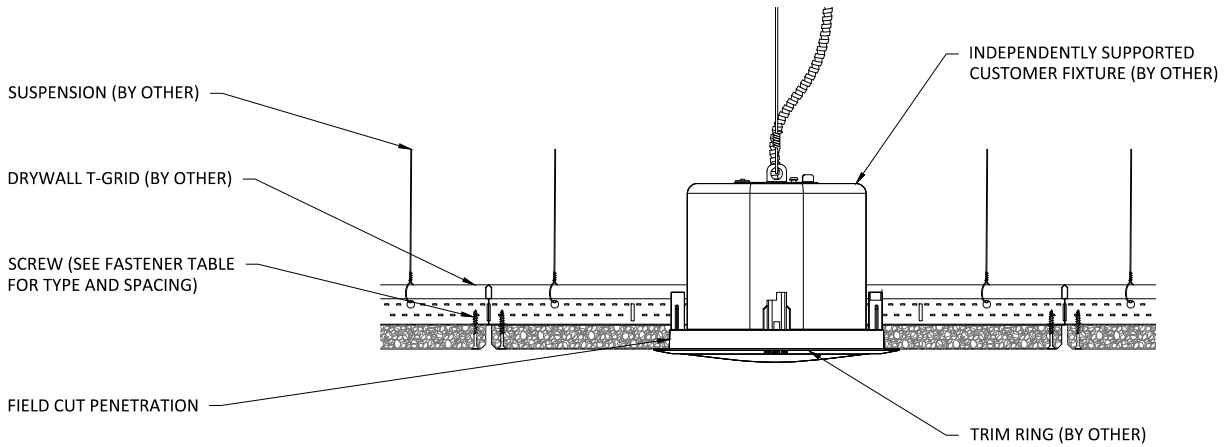
NOMINAL	PANEL SIZE	
	2X4	2X8
ACTUAL SIZE	24" X 48"	24" X 96"
RECOMMENDED FURRING SPACING	24" O.C.	24" O.C.



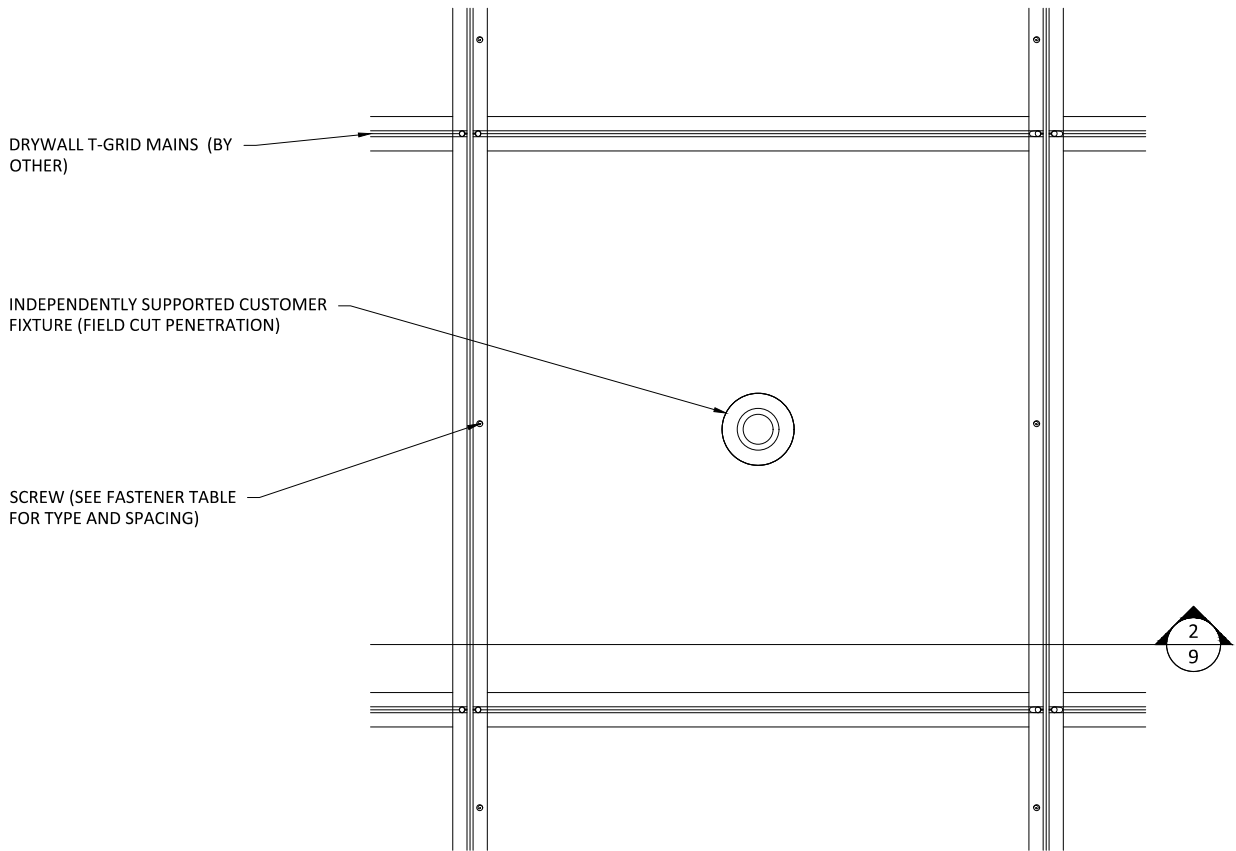
1 DIRECT ATTACH ISOMETRIC (2X4 PANEL)
7 SCALE: 3/4" = 1'-0"



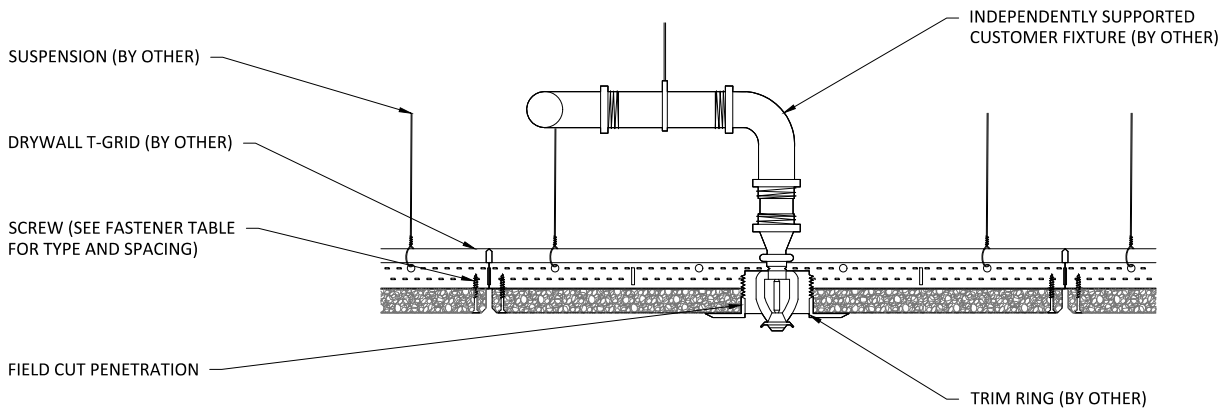
1
8 DIRECT ATTACH CAN LIGHT PLAN
SCALE: 1 1/2" = 1'-0"



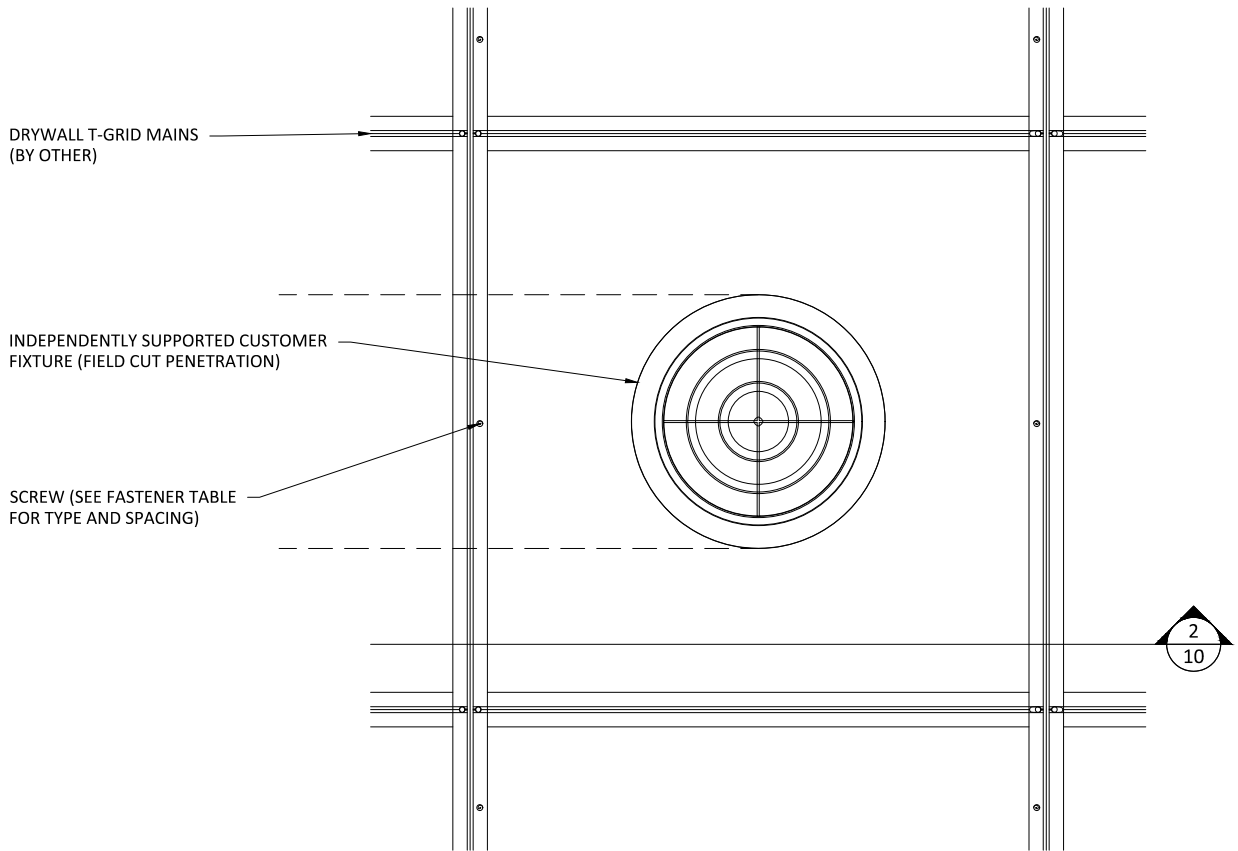
2
8 DIRECT ATTACH CAN LIGHT SECTION
SCALE: 1 1/2" = 1'-0"



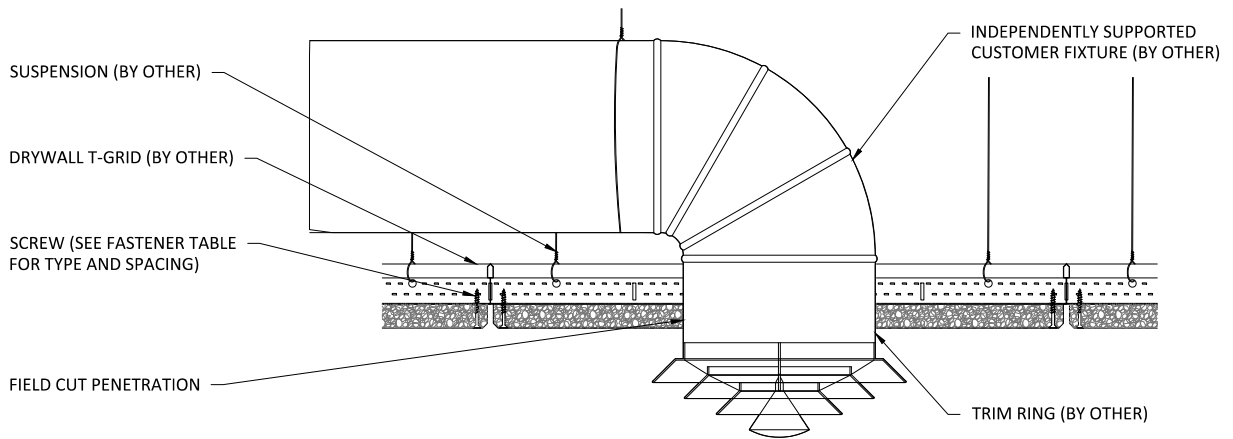
1 DIRECT ATTACH SPRINKLER PLAN
9 SCALE: 1 1/2" = 1'-0"



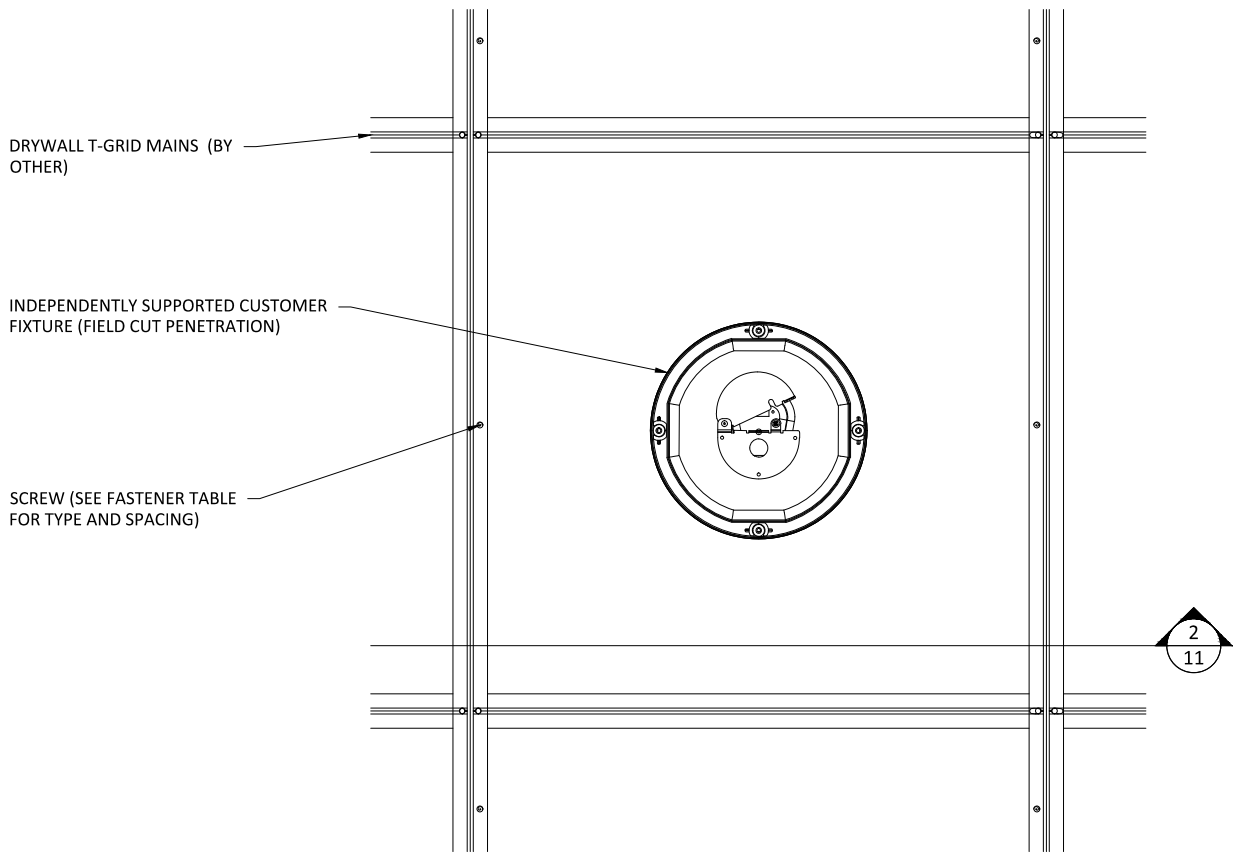
2 DIRECT ATTACH SPRINKLER SECTION
9 SCALE: 1 1/2" = 1'-0"



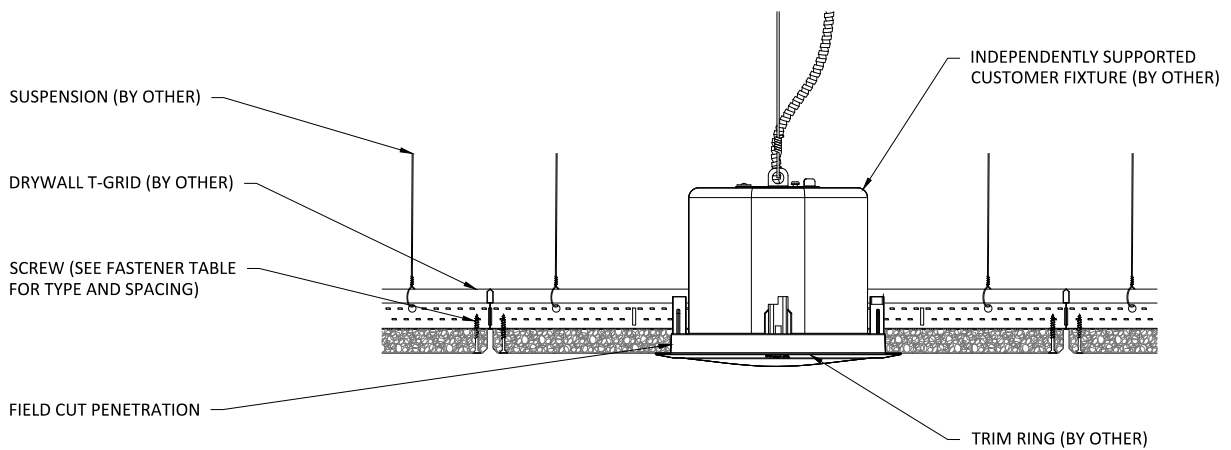
1
10 DIRECT ATTACH DIFFUSER PLAN
SCALE: 1 1/2" = 1'-0"



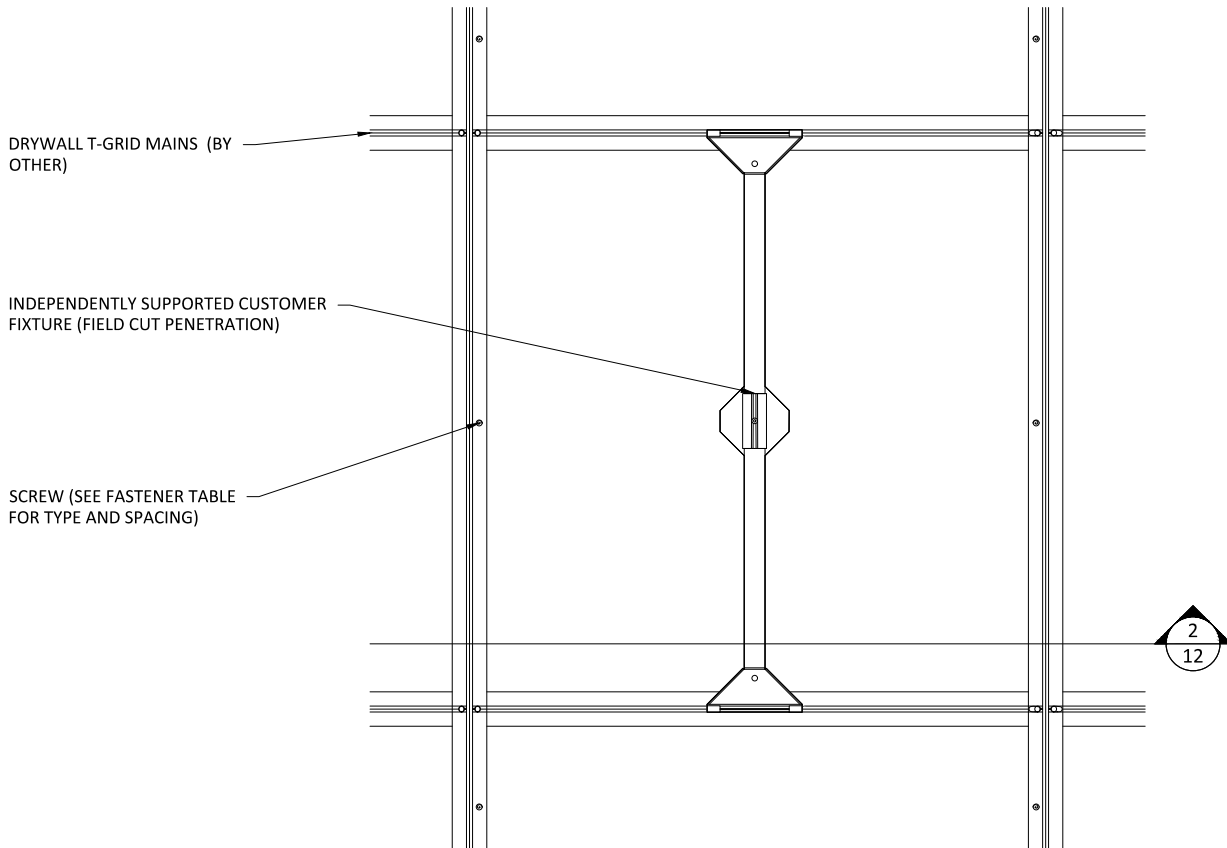
2
10 DIRECT ATTACH DIFFUSER SECTION
SCALE: 1 1/2" = 1'-0"



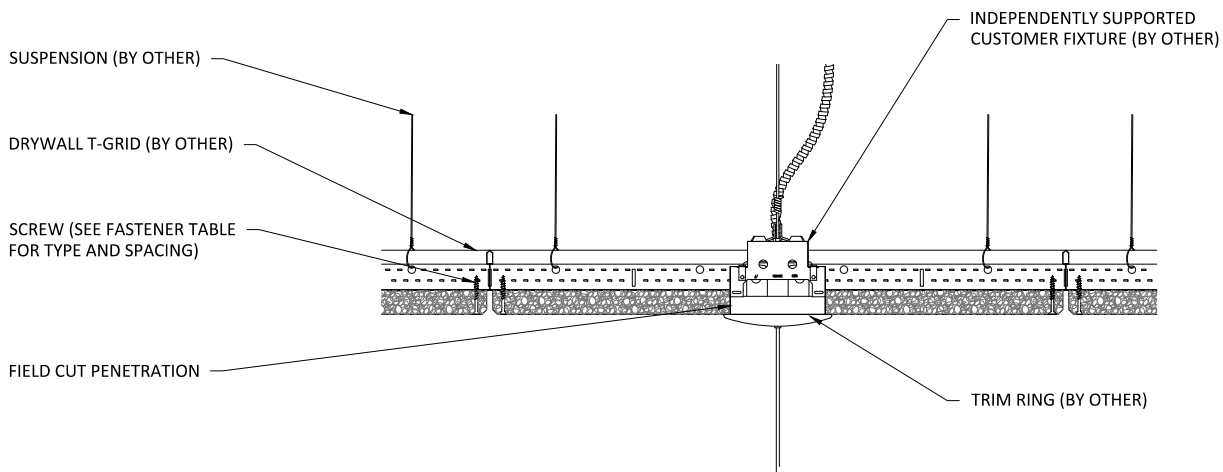
1
11 DIRECT ATTACH SPEAKER PLAN
SCALE: 1 1/2" = 1'-0"



2
11 DIRECT ATTACH SPEAKER SECTION
SCALE: 1 1/2" = 1'-0"



1
12 DIRECT ATTACH PENDANT LIGHT PLAN
SCALE: 1 1/2" = 1'-0"



2
12 DIRECT ATTACH PENDANT LIGHT SECTION
SCALE: 1 1/2" = 1'-0"