

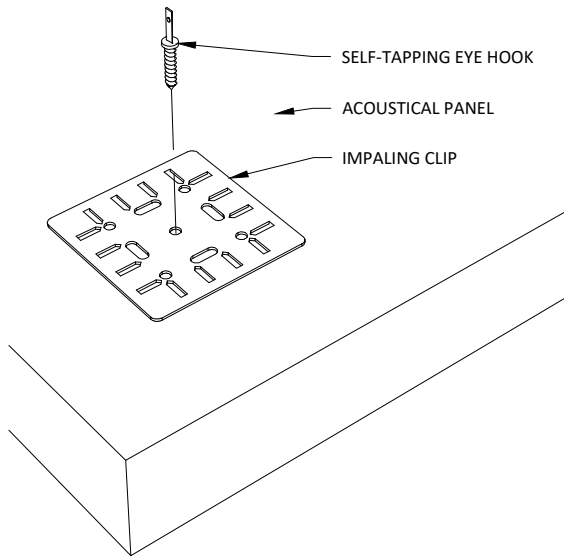
CEILING CLOUD INSTALLATION INSTRUCTIONS

ATTENTION: If you have additional questions after review of this manual please contact your local ASI representative or an ASI professional at our headquarters (952)448-5300

ASI MANUFACTURES DECORATIVE ACOUSTICAL PANELS AND PRODUCTS THAT MUST BE HANDLED WITH CARE. PRODUCTS SHOULD ONLY BE INSTALLED BY EXPERIENCED INSTALLERS.

RECEIVING

Prior to unpacking, check package for any obvious shipping damage. If no evidence of damage is present, move package to a dry/controlled area and inspect it for dents, breakage, or any lesser-noticeable damage that may affect enclosed panels. If damage has been identified, record it/photograph it, and open to inspect for concealed damage. If damage was transferred to the product, document/photograph the issues.



INSTALLATION

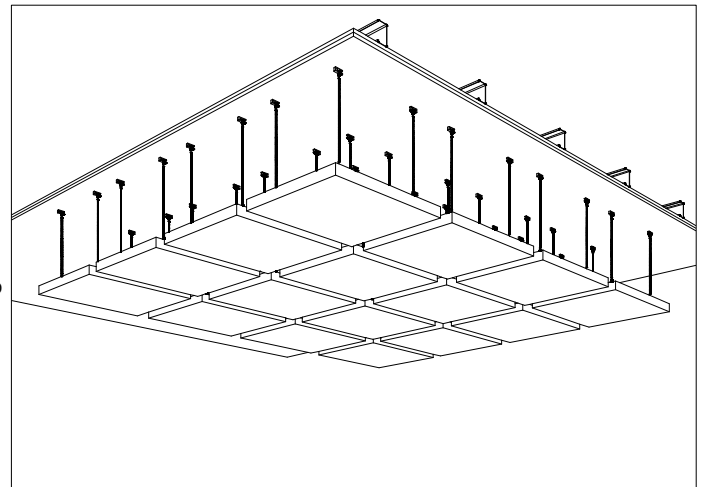
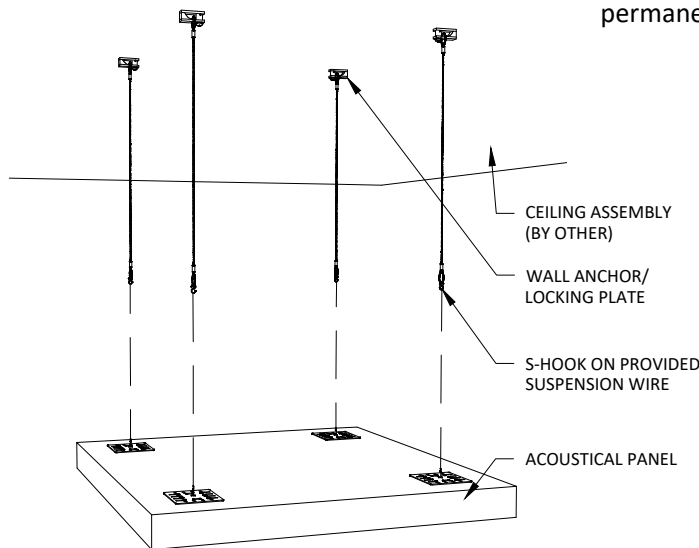
Insert self-tapping eye hooks with supplied driver into metal impaling clips on the back of the panel.

Determine panel location on ceiling and mark locations of eye-hooks. ASI recommends measuring out each eye hook location and transferring measurements to ceiling. Eye hook locations on ceiling may also be determined by holding the panel up to its desired location and gently tapping the panel at each eye hook location such that it leaves a slight indentation on the ceiling.

Drill 5/16" hole into the ceiling on-center with each eye hook location and insert provided hollow wall anchor.

Hang looped end of wire on hollow wall anchor. Install screw with locking plate to hold wire in place.

Hang panel insert S hook into eye lag screw. Bend S hook shut for permanent installation.



SPECIAL HANDLING INSTRUCTIONS

When handling product, care must be taken to not damage face of the panel. Handle all edges with care. To avoid damage, do not twist or bow the panels during installation.

CEILING CLOUD INSTALLATION INSTRUCTIONS

SHEET NUMBER

1

SCALE: AS NOTED

LAST REVISED: 5/14/2020

DRAWN BY: TL

ASI

123 Columbia Court North, Chaska,
 Minnesota 55318 P. 800.527.6253

DO NOT SCALE DRAWING. FIGURED DIMENSIONS ARE TO BE FOLLOWED. READ THIS DRAWING IN CONNECTION WITH GENERAL ARCHITECTURAL PLANS, STRUCTURAL PLANS, AND OTHER RELATED DRAWINGS. THESE DRAWINGS REPRESENT ASI'S UNDERSTANDING AND INTERPRETATION OF THE ARCHITECTURAL DRAWINGS AND HOW ASI PRODUCTS RELATE TO THE PROJECT. COPYRIGHT ASI © 2020