

## POLY MAX - SUSPENDED PANEL: INSTALLATION INSTRUCTIONS

ATTENTION: If you have additional questions after reviewal of this manual please contact your local ASI representative or an ASI professional at our headquarters (952)448-5300

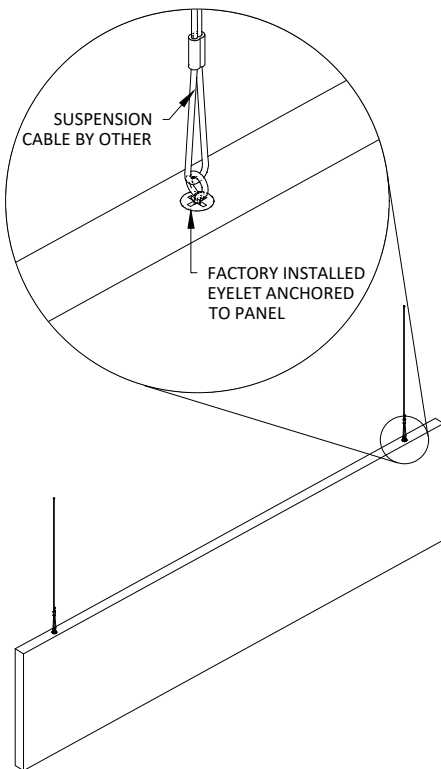
ASI MANUFACTURES DECORATIVE ACOUSTICAL PANELS AND PRODUCTS THAT MUST BE HANDLED WITH CARE. PRODUCTS SHOULD ONLY BE INSTALLED BY EXPERIENCED INSTALLERS.

### RECEIVING

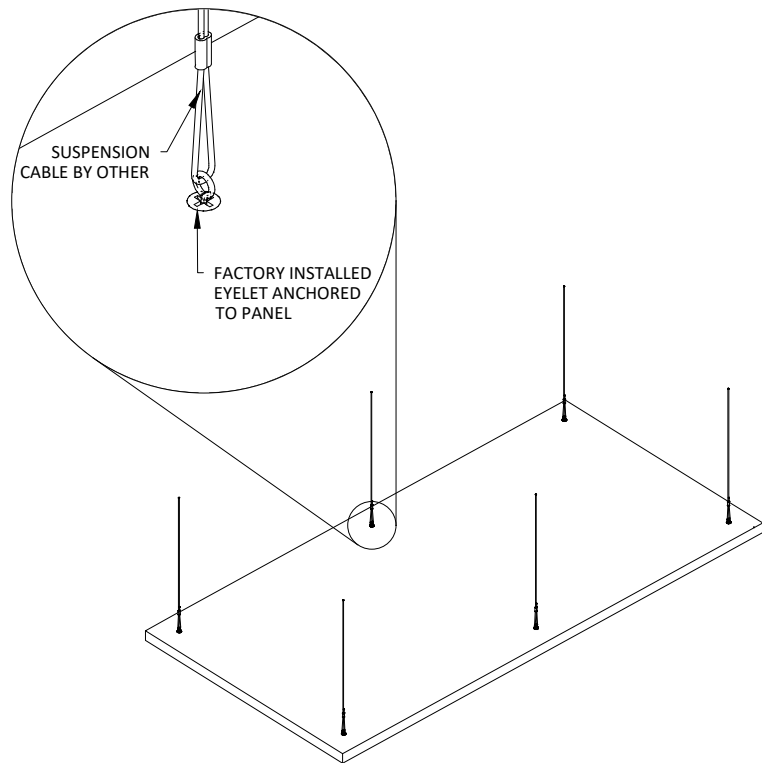
Prior to unpacking, check package for any obvious shipping damage. If no evidence of damage is present, move package to a dry/controlled area and inspect it for dents, breakage, or any lesser-noticeable damage that may affect enclosed panels. If damage has been identified, record it/photograph it, and open to inspect for concealed damage. If damage was transferred to the product, document/photograph the issues.

### INSTALLATION

To install ASI suspended Poly Max panels, loop suspension cable (by installer) through factory installed eyelet in panel and close the loop with a cable clamp or similar hardware. Suspension cable is to be anchored to the roof deck or ceiling structure as necessary. Panels may be installed as vertical baffle panels or horizontal cloud panels as shown below.



VERTICAL BAFFLE



HORIZONTAL CLOUD