

ATTENTION: If you have additional questions after review of this manual please contact your local Climate Seal representative or a Climate Seal professional at our headquarters - (877) 773-7379

CLIMATE SEAL MANUFACTURES THERMAL, ACOUSTIC, AND PRESERVATION WINDOW INSERTS THAT MUST BE HANDLED WITH CARE. PRODUCTS SHOULD ONLY BE INSTALLED BY EXPERIENCED INSTALLERS.

**RECEIVING**

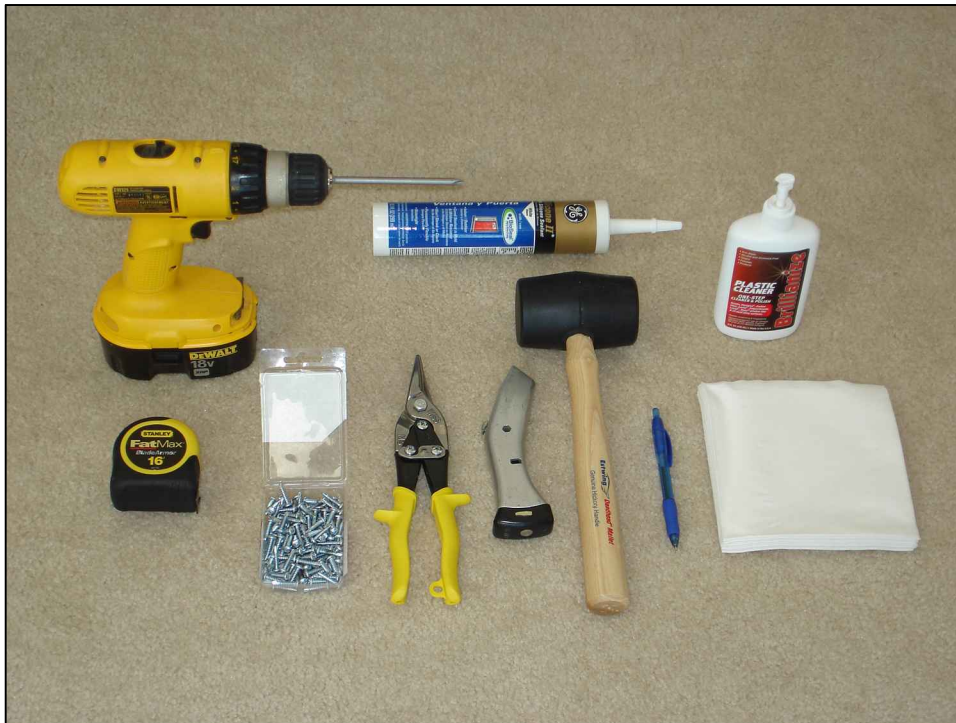
Prior to unpacking, check package for any obvious shipping damage. If no evidence of damage is present, move package to a dry/controlled area and inspect it for dents, breakage, or any lesser-noticeable damage that may affect enclosed panels. If damage has been identified, record it/photograph it, and open to inspect for concealed damage. If damage was transferred to the product, document/photograph the issues.

**ITEMS INCLUDED WITH CLIMATE SEAL INSERTS:**

Climate Seal inserts in storage bags (Note: Do not remove protective film from Climate Seal window inserts); attachment angles; screws; weather-strip foam; Brilliance acrylic cleaner and polisher; WYP-All reusable cleaning and polishing cloths

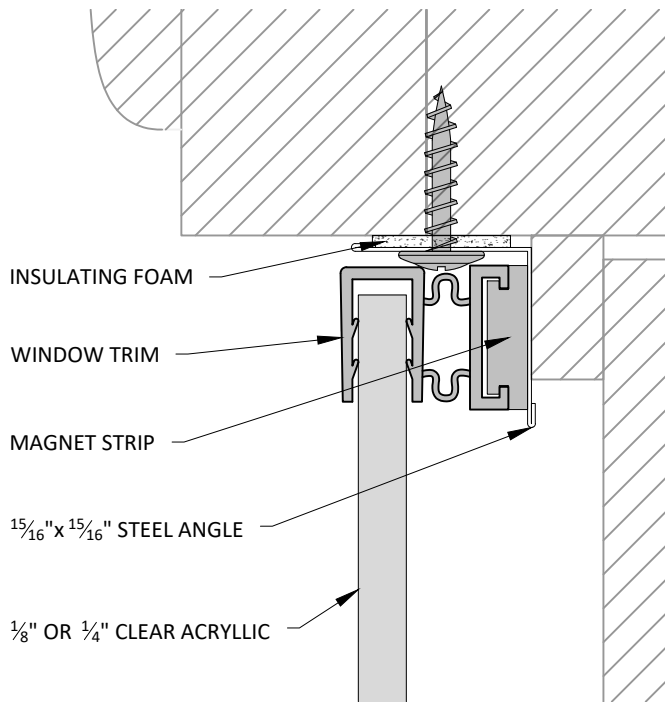
**ITEMS NEEDED FOR INSTALLATION (pictured below):**

tape measure; utility knife; Pair of yellow handle "Wiss" brand tin snips; caulk gun; tube of window caulk; screw gun with a #2 Phillips bit or #6 - 3/4" self-tapping pan head screws; (If applicable) Rubber mallet and a small 1/2" thick block of wood, 4-6" long



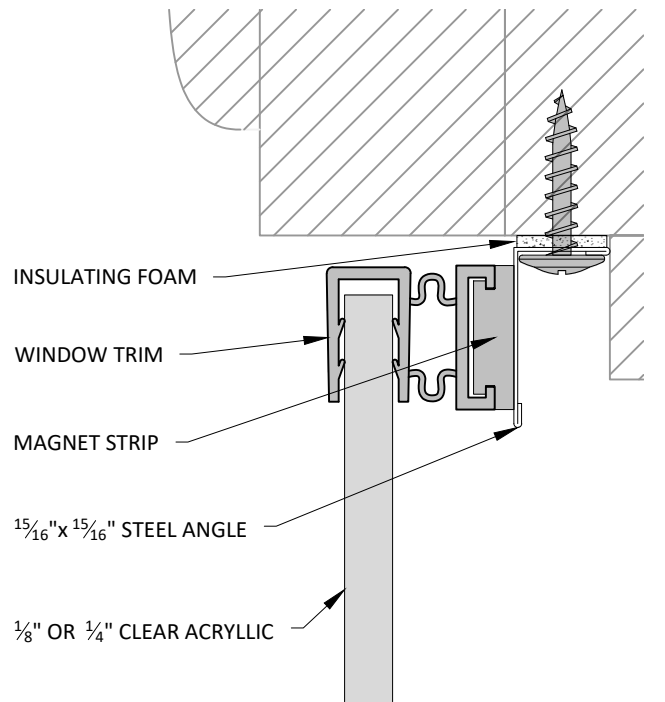
**IMPORTANT:**

Installation of Climate Seal window inserts will vary slightly depending on what attachment method you have chosen. Please review the detail on sheet 2 to familiarize yourself with the attachment methods.



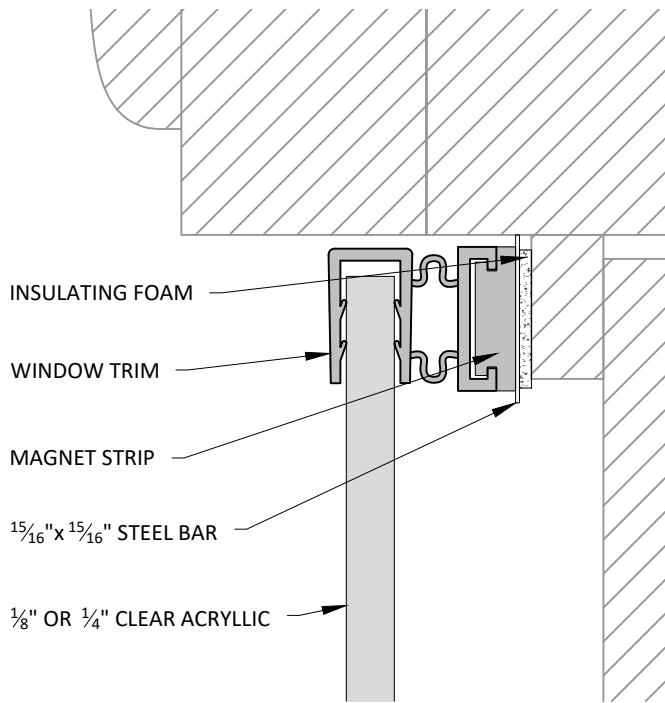
INSULATING FOAM  
 WINDOW TRIM  
 MAGNET STRIP  
 $1\frac{5}{16}$ " x  $1\frac{5}{16}$ " STEEL ANGLE  
 $\frac{1}{8}$ " OR  $\frac{1}{4}$ " CLEAR ACRYLLIC

**INVERTED ANGLE MOUNT  
 FOR HEAD AND JAMB**



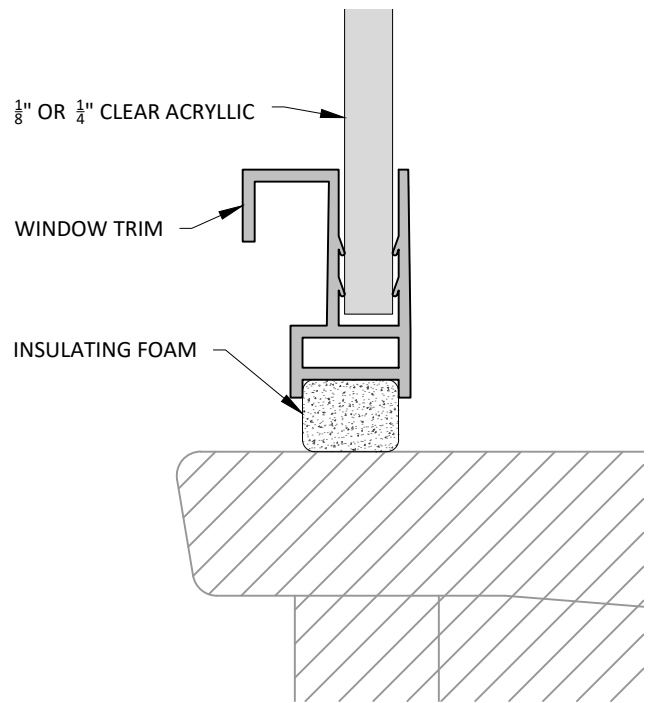
INSULATING FOAM  
 WINDOW TRIM  
 MAGNET STRIP  
 $1\frac{5}{16}$ " x  $1\frac{5}{16}$ " STEEL ANGLE  
 $\frac{1}{8}$ " OR  $\frac{1}{4}$ " CLEAR ACRYLLIC

**STANDARD ANGLE MOUNT  
 FOR HEAD AND JAMB**



INSULATING FOAM  
 WINDOW TRIM  
 MAGNET STRIP  
 $1\frac{5}{16}$ " x  $1\frac{5}{16}$ " STEEL BAR  
 $\frac{1}{8}$ " OR  $\frac{1}{4}$ " CLEAR ACRYLLIC

**FLUSH MOUNT  
 FOR HEAD AND JAMB**



$\frac{1}{8}$ " OR  $\frac{1}{4}$ " CLEAR ACRYLLIC  
 WINDOW TRIM  
 INSULATING FOAM

**SILL TRIM  
 FOR WINDOWS WITH SILLS**

1

Note: this first step is only applicable to larger orders. Most orders will have the insulating foam strip pre-installed

Apply the insulating foam strip along one edge of the attachment angle. The edge to receive the insulating foam strip will depend on the attachment method (see sheet 2 for attachment methods). Press down firmly to adhere, eliminating any air pockets from forming. Cut foam at ends with a utility knife. Finally, remove wax paper backing.



2

All attachment angles come several inches longer than needed. Verify measurements of window opening before cutting attachment angle. Start by measuring the top and bottom of your window opening.



3

Measure length on attachment angle and score the angle with a pen, pencil, or utility knife. Use a straight edge to mark lines and then cut off excess metal with yellow-handle "Wiss" tin snips.



4

Once both the top and bottom angles are cut to length, remove the adhesive film from the insulating foam strip, and place angle into window opening such that the insulating foam strip is against the window jamb. Insert screws 2" in from each end and every 12-16 inches.



5

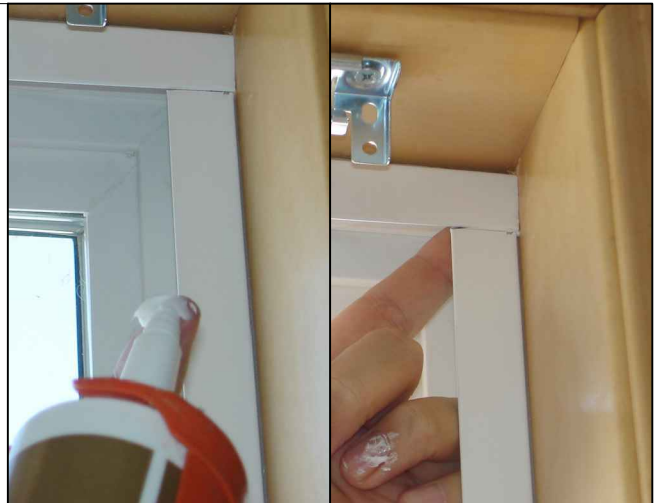
Once the top and bottom angles are in, hold vertical angles in place. Score angle and cut with tin snips for exact fit.

Once vertical angles are cut to length, remove the adhesive film from the insulating foam strip, and place angle into window opening such that the insulating foam strip is against the window jamb. Insert screws 2" in from each end and every 12-16 inches.



6

Caulk of a matching color may be used to seal butt joint at the corners. Squeeze out a dab of caulk onto your finger, and apply to back side of angle as shown.

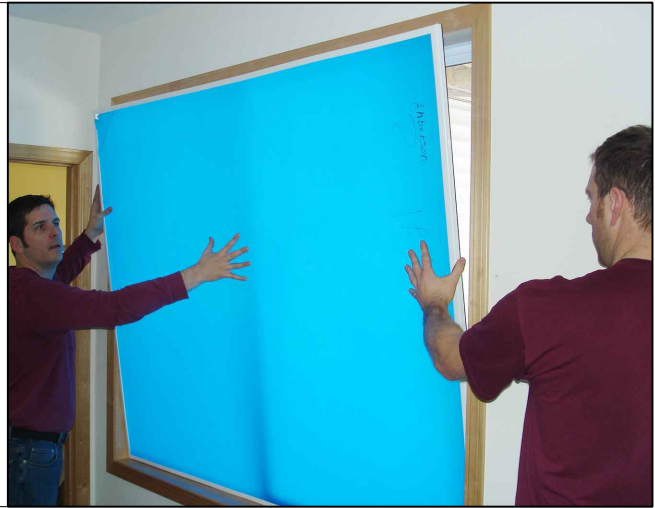




7

Do not remove protective film from window inserts until all steps are complete. Place Climate Seal insert into window opening by placing bottom in first. Then tilt the window insert up until magnets have snapped into place.

Once you are sure the window insert fits properly into the window, you may remove it and lay it on a clean floor with the interior face down.



8

Remove exterior facing protective film only and apply Brillianize cleaner liberally across acrylic surface. Then using the WYP-All cloths:

- 1) Wipe in linear motions across the surface area to spread cleaner and pick up any debris that may be on the acrylic
- 2) Use the next cloth in the same linear motion to bring the remaining cleaner to a fine bead
- 3) Use another cloth in the same linear motion to dry the surface completely. Do not leave the surface wet and allow to air dry, as this can leave a residue on the acrylic.



9

Note: this step is only applicable to windows with sill trim (see details on sheet 2)

Do not remove protective film. Sill trim is to be adjusted by placing a wood block on the top "handle" of the sill trim, and tapping lightly with a rubber mallet until the insulating foam on the bottom has a good seal with the window sill. Start at one end and work your way down. Check for any possible daylight coming through the seal and repeat tapping lightly until the insulating foam has a good seal.



123 Columbia Court North, Chaska,  
Minnesota 55318 P. 800.527.6253

## CLIMATE SEAL INSTALLATION INSTRUCTIONS INSTALLATION STEPS 7-9

SCALE: AS NOTED

LAST REVISED: 12/19/2019

DRAWN BY: BH

DO NOT SCALE DRAWING. FIGURED DIMENSIONS ARE TO BE FOLLOWED. READ THIS DRAWING IN CONNECTION WITH GENERAL ARCHITECTURAL PLANS, STRUCTURAL PLANS, AND OTHER RELATED DRAWINGS. THESE DRAWINGS REPRESENT ASI'S UNDERSTANDING AND INTERPRETATION OF THE ARCHITECTURAL DRAWINGS AND HOW ASI PRODUCTS RELATE TO THE PROJECT. COPYRIGHT ASI © 2019

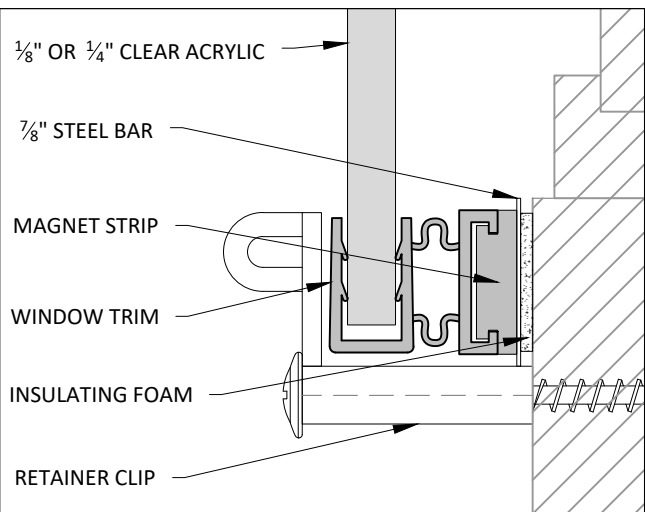
SHEET NUMBER

5

10

Note: this step is only applicable to flush mount installs

Once window is in place, install retainer clips with provided screws, make sure the tab on the clip is turned to cover the window trim.



11

After all steps are complete and window insert is in place, you may remove the protective film on the interior side and repeat cleaning steps from step 8 on sheet 4

