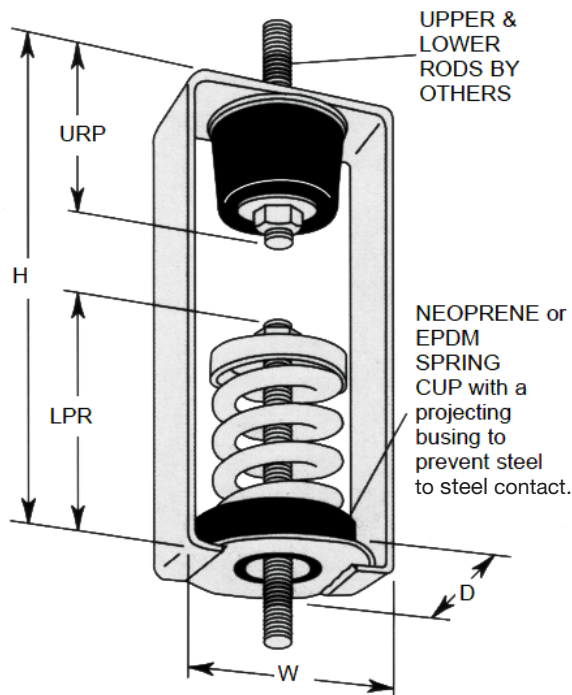


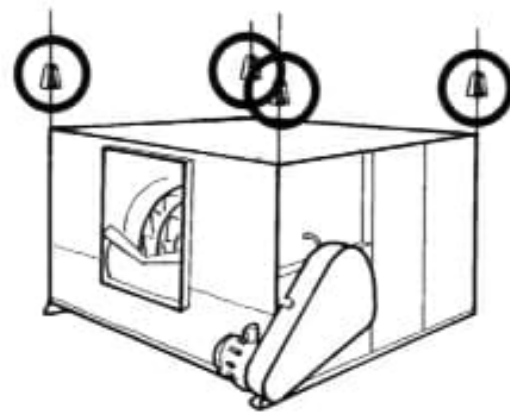
DNHS Spring Hangers



With Double Deflection Neoprene Element

High Deflection Spring Hangers provide far greater vibration control than the lower deflection neoprene hangers. Each powder coated steel spring is in series with a neoprene cup, providing excellent isolation efficiency. The spring vibration isolation hanger serves to isolate a broad range of disturbing vibration frequencies, while the rubber cup is a high frequency or noise break.

All box type spring vibration isolation hangers are available precompressed from the factory with a scale for adjusting spring tension. They are similar to SLR restrained mounts in that they can be adjusted to limit vertical movement caused by weight changes during system start up, maintenance and seismic events. Spring Hangers are also available with eyebolts top and bottom.



ACOUSTICAL | SURFACES, INC.

PAGE 1

Celebrating Over 40 Years - SOUNDPROOFING, ACOUSTICS, NOISE & VIBRATION SPECIALISTS!

952.448.5300 | 800.448.0121 | sales@acousticalsurfaces.com | www.acousticalsurfaces.com

DNHS Spring Hangers

LRP - Lower Rod Penetration
URP - Upper Rod Penetration
MRD - Maximum Rod Dia.

DNHS 1" DEFLECTION SPRING HANGERS*

Type & Size	Rated Capacity	Rated Deflection	Mount Constant	Spring Color/Stripe	Dimensions					
					D	H	W	LRP	MRD	URP
DNHS-X-12	12 lbs	1.25"	10 lbs/in	Orange	2-1/2"	5-1/2"	2-7/8"	3-1/4"	3/8"	1-3/4"
DNHS-X-23	23 lbs	1.50"	18 lbs/in	Brown						
DNHS-X-33	33 lbs	1.30"	30 lbs/in	Red						
DNHS-X-54	54 lbs	1.40"	45 lbs/in	White						
DNHS-X-76	76 lbs	1.22"	73 lbs/in	Black						
DNHS-X-113	113 lbs	1.20"	113 lbs/in	Yellow						
DNHS-X-130	130 lbs	1.20"	130 lbs/in	Purple						
DNHS-X-175	175 lbs	1.20"	175 lbs/in	Silver						
DNHS-X-210	210 lbs	1.20"	210 lbs/in	Blue						
DNHS-A-12	12 lbs	1.35"	12 lbs/in	Red	2-3/4"	6-3/4"	3-1/4"	3-1/2"	5/8"	2-1/4"
DNHS-A-18	18 lbs	1.35"	18 lbs/in	Gray						
DNHS-A-25	25 lbs	1.35"	25 lbs/in	Orange						
DNHS-A-41	41 lbs	1.53"	35 lbs/in	Pink	2-3/4"	6-3/4"	3-1/4"	4"	5/8"	2-1/4"
DNHS-A-56	56 lbs	1.49"	49 lbs/in	Black						
DNHS-A-73	73 lbs	1.41"	69 lbs/in	Tan						
DNHS-A-95	95 lbs	1.36"	94 lbs/in	Green						
DNHS-A-45	45 lbs	1.95"	28 lbs/in	Blue	2-3/4"	6-3/4"	3-1/4"	4"	5/8"	2-1/4"
DNHS-A-75	75 lbs	1.85"	50 lbs/in	Orange						
DNHS-A-125	125 lbs	1.68"	94 lbs/in	Brown						
DNHS-A-200	200 lbs	1.50"	174 lbs/in	Black						
DNHS-A-310	310 lbs	1.35"	310 lbs/in	Yellow						
DNHS-A-400	400 lbs	1.35"	400 lbs/in	Green						
DNHS-A-510	510 lbs	1.35"	510 lbs/in	Red						

3/4" Minimum Deflection*

LRP - Lower Rod Penetration
URP - Upper Rod Penetration
MRD - Maximum Rod Dia.

DNHS 2" DEFLECTION SPRING HANGERS*

Type & Size	Rated Capacity	Rated Deflection	Mount Constant	Spring Color/Stripe	Dimensions					
					D	H	W	LRP	MRD	URP
DNHS-B-20	20 lbs	2.75"	8 lbs/in	Tan	4"	9"	4-3/4"	5-1/8"	3/4"	3"
DNHS-B-26	26 lbs	2.53"	12 lbs/in	White/Blue						
DNHS-B-35	35 lbs	2.55"	16 lbs/in	Purple						
DNHS-B-50	50 lbs	2.55"	24 lbs/in	White/Red						
DNHS-B-65	65 lbs	2.45"	31 lbs/in	Brown						
DNHS-B-85	85 lbs	2.45"	40 lbs/in	White/Black						
DNHS-B-115	115 lbs	2.35"	57 lbs/in	Silver						
DNHS-B-150	150 lbs	2.35"	75 lbs/in	Orange						
DNHS-B2-210	210 lbs	2.47"	99 lbs/in	Silver						
DNHS-B2-290	290 lbs	2.35"	144 lbs/in	Blue	4"	9"	4-3/4"	5-1/8"	3/4"	3"
DNHS-B2-450	450 lbs	2.35"	224 lbs/in	Tan						

1-1/2" Minimum Deflection*



ACOUSTICAL | SURFACES, INC.

PAGE 2

Celebrating Over 40 Years - SOUNDPROOFING, ACOUSTICS, NOISE & VIBRATION SPECIALISTS!

952.448.5300 | 800.448.0121 | sales@acousticalsurfaces.com | www.acousticalsurfaces.com